



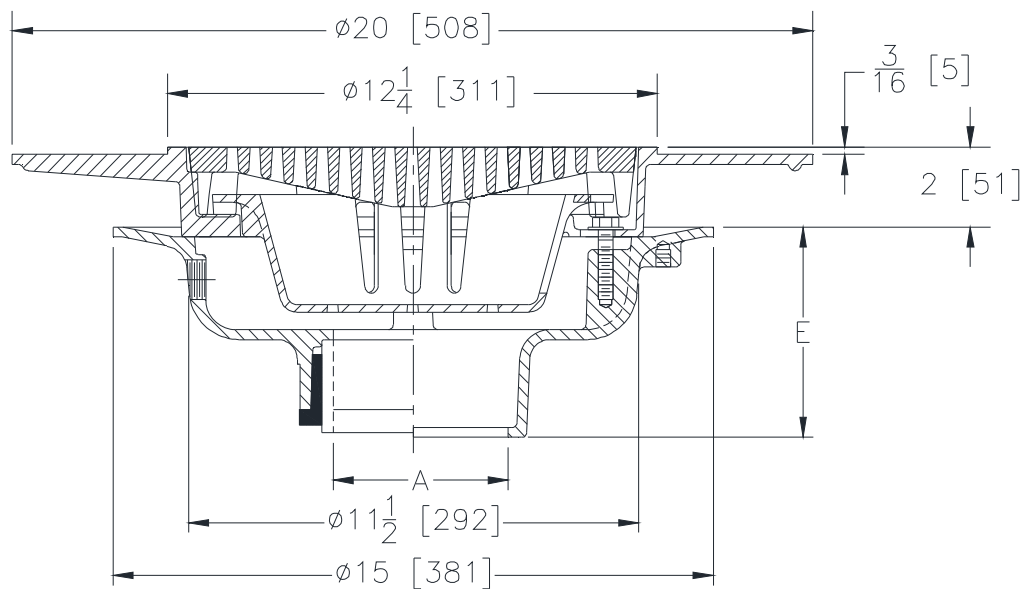
Z532-83

12-1/4 [311] DIAMETER WIDE FLANGE HEAVY-DUTY FLOOR DRAIN W/HEEL PROOF GRATE & TRAP PRIMER

SPECIFICATION SHEET

TAG _____

Dimensional Data (inches and [mm]) are Subject to Manufacturing Tolerances and Change Without Notice



A- Pipe Size In [mm]	Approx. Wt. Lbs. [kg]	Grate Open Area Sq. In. [cm ²]
2,3,4,6 [51,76,102,152]	54 [24]	30 [194]

ENGINEERING SPECIFICATION: ZURN Z532-83

12-1/4" [311mm] Diameter wide flange floor drain, Dura-Coated cast iron body with bottom outlet, trap primer, seepage pan and combination membrane flashing clamp and frame with latex troweling flange for heavy-duty slotted heel proof grate, with suspended sediment bucket.

OPTIONS (Check/specify appropriate options)

PIPE SIZE	(Specify size/type) OUTLET	'E' BODY HT. DIM.
3,4,6 [76,102,152]	___ IC Inside Caulk	5-1/4 [133]
3,4,6 [76,102,152]	___ IG Inside Gasket	5-1/4 [133]
2,3,4,6 [51,76,102,152]	___ NH No-Hub	5-1/4 [133]
2,3,4 [51,76,102]	___ NL Neo-Loc	4-1/2 [114]

PREFIXES

- ___ Z D.C.C.I. Body and Top*
- ___ ZN D.C.C.I. Body with Polished Nickel Bronze Top

SUFFIXES

- ___ -AR Acid Resistant Epoxy Coating
- ___ -DG Duresist Grate
- ___ -G Galvanized Cast Iron
- ___ -TC Neo-Loc Test Cap Gasket
(2,3,4 [51,76,102] NL Bottom Outlet Only)
- ___ -TS Top Secured with Slotted Screws
- ___ -VP Vandal-Proof Secured Top

* Regularly furnished unless otherwise specified.