



# Z1800-12B-76

## 12 [305] DIAMETER ROUND INDUSTRIAL FLOOR DRAIN LESS LIFT HOLE

SPECIFICATION SHEET

TAG \_\_\_\_\_

Dimensional Data (inches and [ mm ]) are Subject to Manufacturing Tolerances and Change Without Notice

**Engineering Specification:** ZURN Z1800-12B-76  
 12 [305] Diameter x 6 [152] deep, 18 gage, all type 304 (CF8) stainless steel round industrial floor drain with loose set anti-tilt extra heavy-duty perimeter drainage cover, reinforced top frame, perforated removable sediment bucket with lift handle, pre-sloped bottom sump, and pre-pour stabilizing anchor tabs.

Approx. Wt. Lbs. [kg]	Grate Open Area Sq. In. [cm <sup>2</sup> ]
17 [8]	8.9 [57]

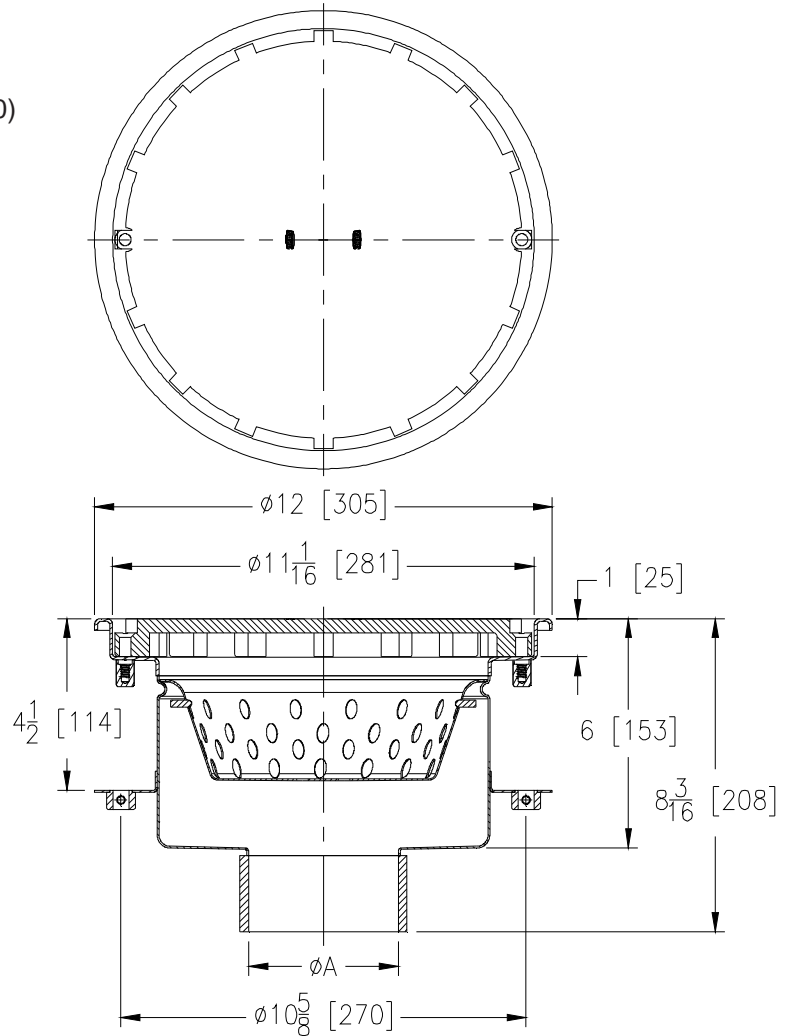
### Options (Check/specify appropriate options)

**Pipe Size (ØA)** (Specify size/type) **Outlet**  
 3-4-6 [76-102-152] \_\_\_ BW Butt-Weld (Sch. 10)  
 3-4-6 [76-102-152] \_\_\_ NH No-Hub

**Prefixes**  
 \_\_\_ Z Type 304 (CF8) Stainless Steel\*  
 \_\_\_ ZM Type 316 (CF8M) Stainless Steel

**Suffixes**  
 \_\_\_ -B Bell Trap/Solid Sediment Bucket  
 \_\_\_ -KC Anchor Flange w/Seepage Holes and Clamp Collar  
 \_\_\_ -P ø1/2 [13] Trap Primer Connection  
 \_\_\_ -SA Stabilizer Assembly (Z1036) 3 [76] and 4 [102] outlets only  
 \_\_\_ -TS Top Secured Grate  
 \_\_\_ -3PT 3 [76] Stainless Steel P-Trap  
 \_\_\_ -4PT 4 [102] Stainless Steel P-Trap  
 \_\_\_ -6PT 6 [152] Stainless Steel P-Trap

**Grate Options**  
 \_\_\_ -PCS Special-Duty Perimeter Drainage Cover (9.7 Sq. In. [63 cm<sup>2</sup>] Open Area)



\* Regularly furnished unless otherwise specified.