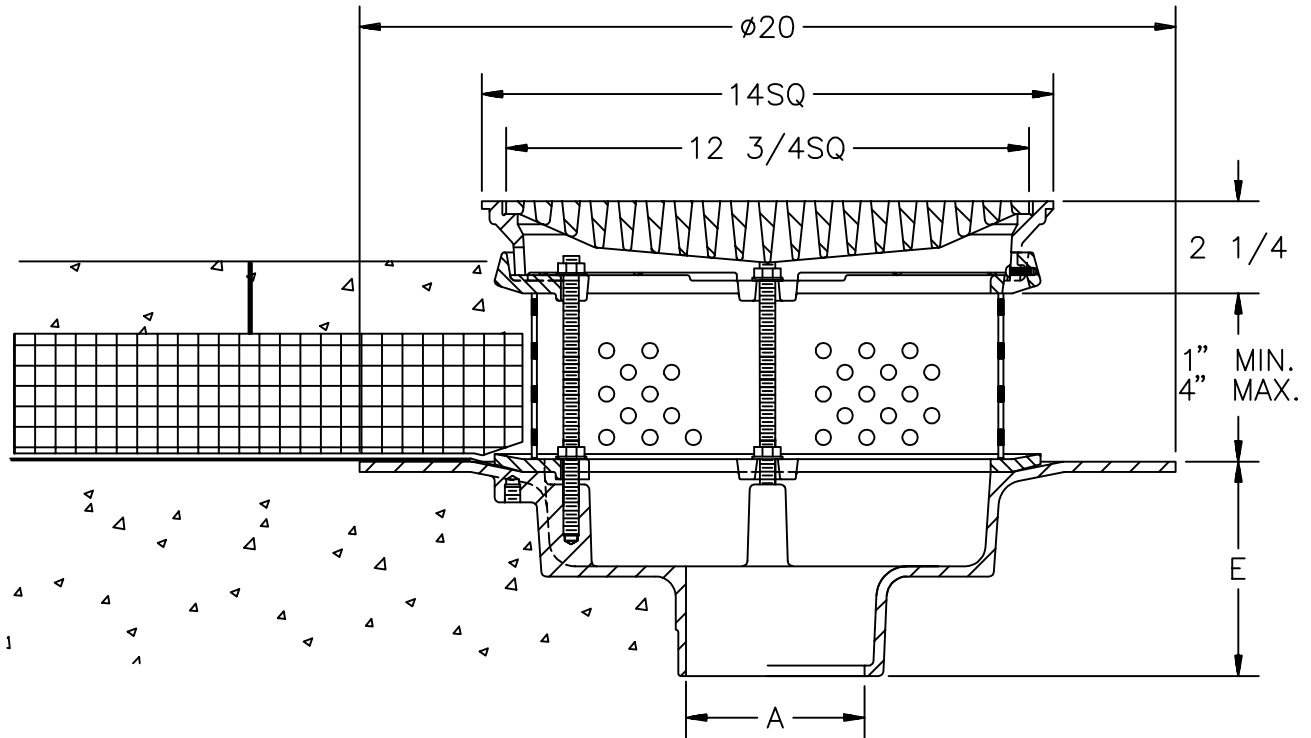




Z-107-78 PROM-DECK DRAIN WITH WIDE FLANGE BODY

TAG _____

Dimensions Subject to Manufacturing Tolerances



A- Pipe Size In.	Approx. Wt. Lbs	Grate Open Area Sq. In.
2-3-4	62	44
5-6		
8	64	
10		

ENGINEERING SPECIFICATION: ZURN Z-107-78 Prom-Deck drain, Dura-Coated cast iron wide flange body with promenade frame, perforated extension, heavy-duty, heel proof grate with combination membrane flashing clamp/gravel guard.

OPTIONS (Check/specify appropriate options)

OUTLET (Specify type)

- _____ **IC** Inside Caulk
- _____ **IG** Inside Caulk w/Sealtrol Gskt.
- _____ **IP** Threaded
- _____ **NH** No-Hub
- _____ **NL** Neo-Loc

PIPE SIZE (Specify size)

- _____ 2" thru 6", 8", 10"
- _____ 2" thru 4", 6"
- _____ 2" thru 6", 8", 10"
- _____ 2" thru 6", 8", 10"
- _____ 2" thru 4"

'E' BODY HT. DIMENSION

- 5-1/4"
- 5-1/4"
- 3-3/4"
- 5-1/4"
- 4-5/8"

PREFIXES

- _____ **Z-** D.C.C.I. Body with Grate*
- _____ **ZB-** D.C.C.I. Body with Polished Bronze Grate
- _____ **ZN-** D.C.C.I. Body with Polished Nickel Bronze Grate

SUFFIXES

- _____ **-C** Underdeck Clamp
- _____ **-DG** Duresist Grate
- _____ **-E** Static Extension 1" thru 4" (Specify Height)
- _____ **-EA** Adjustable Extension Assembly 1-3/4" thru 3-1/2"
- _____ **-G** Galvanized Cast Iron
- _____ **-R** Roof Sump Receiver
- _____ **-S** Secondary Clamp Collar
- _____ **-VP** Vandal Proof Secured Top
- _____ **-XJ** Vertical Expansion Joint (See Z-190)
- _____ **-90** 90° Threaded Side Outlet Body (2" thru 6") (Previously Z-153)

*REGULARLY FURNISHED UNLESS OTHERWISE SPECIFIED

REV.	DATE: 10/29/92	C.N. NO. 68665
DWG. NO. P-13765 PRODUCT NO. Z-107-78		

ZURN INDUSTRIES, INC. ♦ SPECIFICATION DRAINAGE OPERATION ♦ 1801 Pittsburgh Ave. ♦ Erie, PA 16514

Phone: 814/455-0921 ♦ Fax: 814/454-7929 ♦ World Wide Web: www.zurn.com

In Canada: ZURN INDUSTRIES LIMITED ♦ 3544 Nashua Drive ♦ Mississauga, Ontario L4V1L2 ♦ Phone: 905/405-8272 Fax: 905/405-1292