



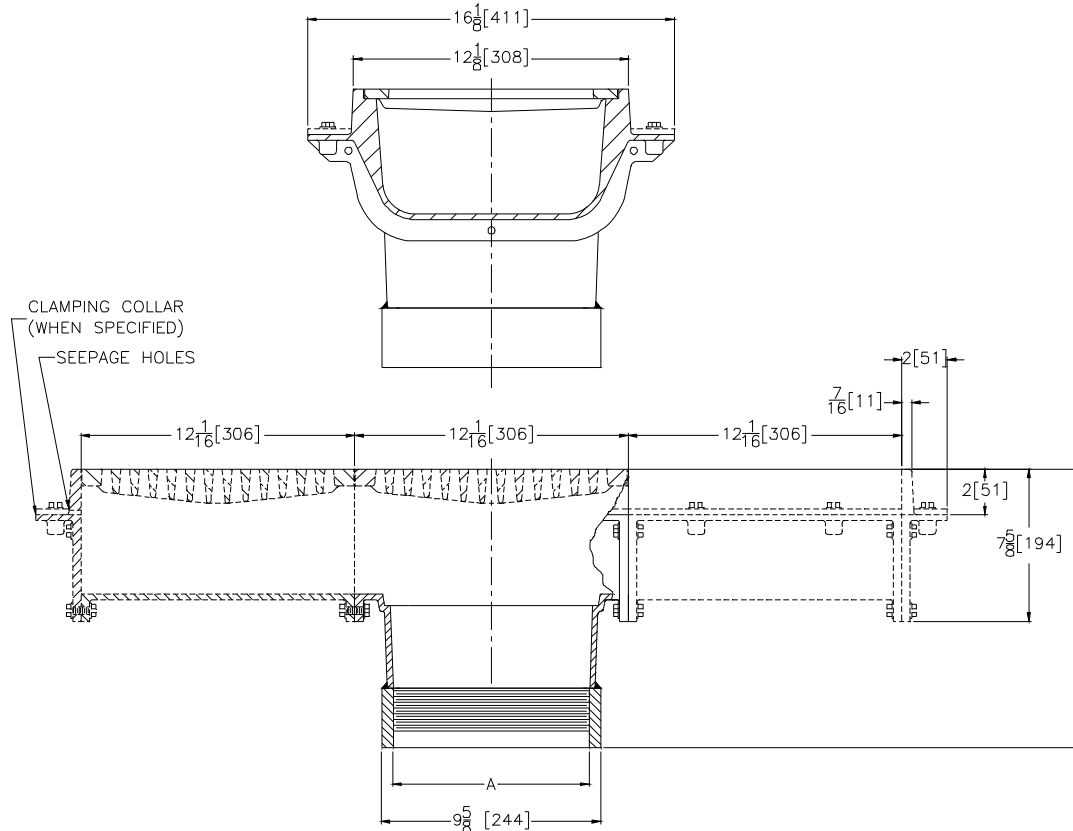
Z-665-89

12 [305] WIDE MODULAR TRENCH DRAIN HEAVY DUTY

SPECIFICATION SHEET

TAG _____

Dimensional Data (inches and [mm]) are Subject to Manufacturing Tolerances and Change Without Notice



A- Pipe Size In.	Approx. Wt. Lbs. [kg]	Grate Open Area Sq. In. [cm ²]
8 [200]	110 [50]	36 [232]

ENGINEERING SPECIFICATION Z-665-89 12 [305] Wide top modular trench drain, Dura-Coated cast iron deep sump body with bottom outlet. Both 12 [305] long outlet module and 12 [305] extension modules are complete with integral seepage pan and heavy duty loose slotted grate.

OPTIONS (Check/specify appropriate options)

PIPE SIZE (Specify size/type) **OUTLET** **'E' BODY HT. DIM.**
 8 [200] _____ IP Threaded 13 [330]

PREFIXES

- _____ Z- D.C.C.I. Body and Grate*
- _____ ZB- D.C.C.I Body w/Polished Bronze Top (Add 1/8 [3] to 'E' and 2 [51] Dim.)
- _____ ZN- D.C.C.I Body w/Polished Stainless Steel Top Frame and Grate (Add 1/8 [3] to 'E' and 2 [51] Dim.)

SUFFIXES

- _____ -AR Acid Resisting Epoxy Coated Cast Iron
- _____ -C Clamp Collar or Underdeck Clamp
- _____ -DB Bottom Dome Strainer
- _____ -DG Duresist Grate
- _____ -ES Extension Section (See Z-664, Z-665)
- _____ -G Galvanized Cast Iron
- _____ -HP Heelproof Grate
- _____ -M Side Outlet Adapter Via End Plate
- _____ -SB Shallow Drain Body
- _____ -TS Top Secured With Slotted Screws
- _____ -VP Vandal Proof Secured Top
- _____ -Y Sediment Bucket

REV.	DATE: 4/11/01	C.N. NO. 87610
DWG. NO. P-14824		PRODUCT NO. Z-665-89

*REGULARLY FURNISHED UNLESS OTHERWISE SPECIFIED