



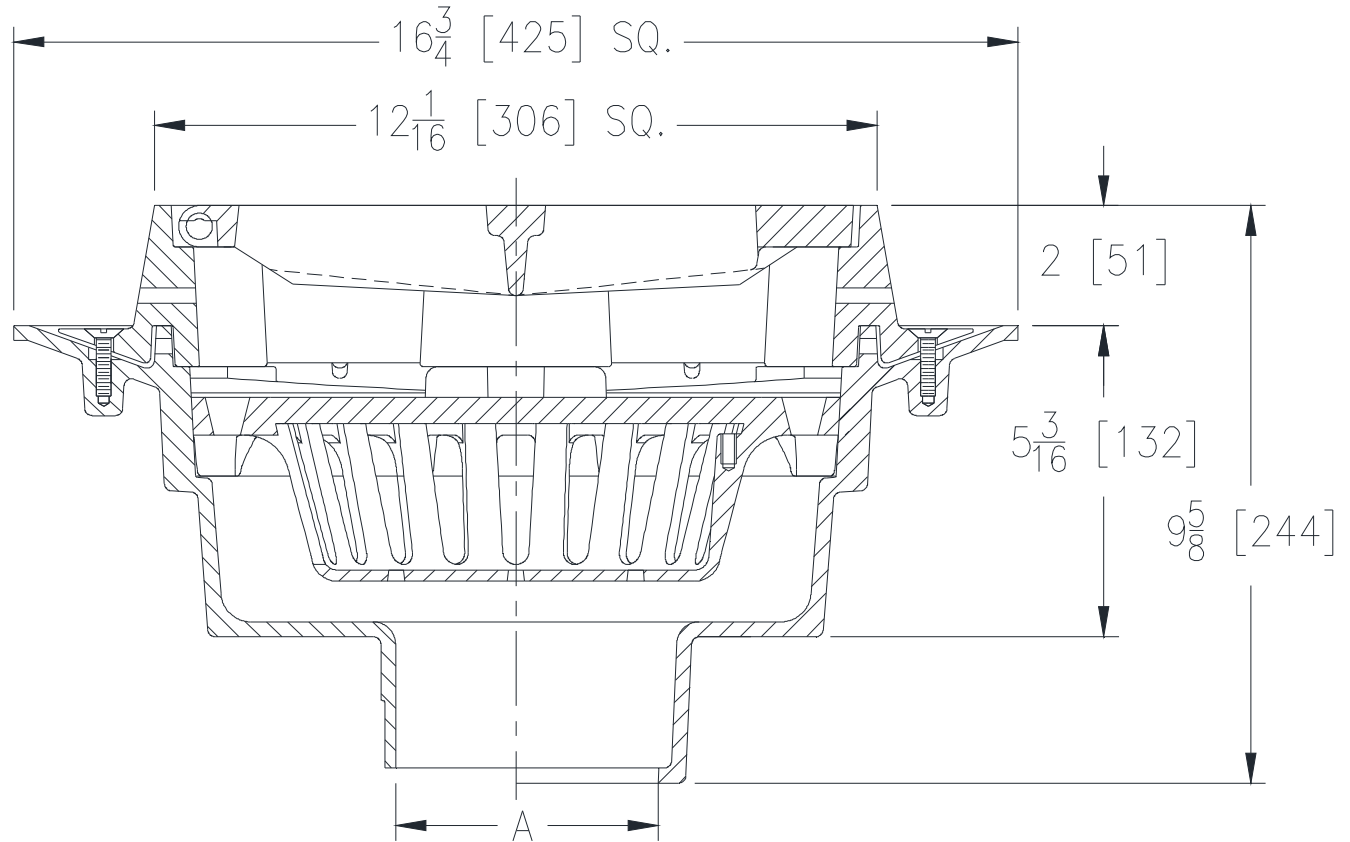
Z535-77

16-3/4 [425] SQUARE HEAVY-DUTY PARKING STRUCTURE DRAIN W/ 2 [51] EXTENSION WITH SEEPAGE HOLES

SPECIFICATION SHEET

TAG _____

Dimensional Data (inches and [mm]) are Subject to Manufacturing Tolerances and Change Without Notice



A Pipe Size Inches [mm]	Approx. Wt. Lbs. [kg]	Grate Open Area Sq. In. [sq. cm]
3,4,6,8 [76,102,152,203]	29 [13]	57 [368]

Engineering Specification: ZURN Z535-77

12" [305mm] Square top heavy-duty parking structure drain. Oven cured epoxy-coated aluminum body with bottom outlet, with 2" [51mm] extension clamping frame with seepage holes, membrane, anti-ponding slots, sediment bucket and heavy-duty anti-tilt hinged slotted grate, stainless steel hinge pins.

Options (Check/specify appropriate options)

Pipe Size (ØA)

3,4,6,8 [76,102,152,203]

(Specify size) OUTLET

_____ NH No-Hub

Prefixes

_____ Z A.R.C. Aluminum Body and Top
 _____ ZC A.R.C. Iron Body and Top

Suffixes

_____ -CI Cast Iron Grate (For Z only)
 _____ -L Locking Device

* Regularly furnished unless otherwise specified.