

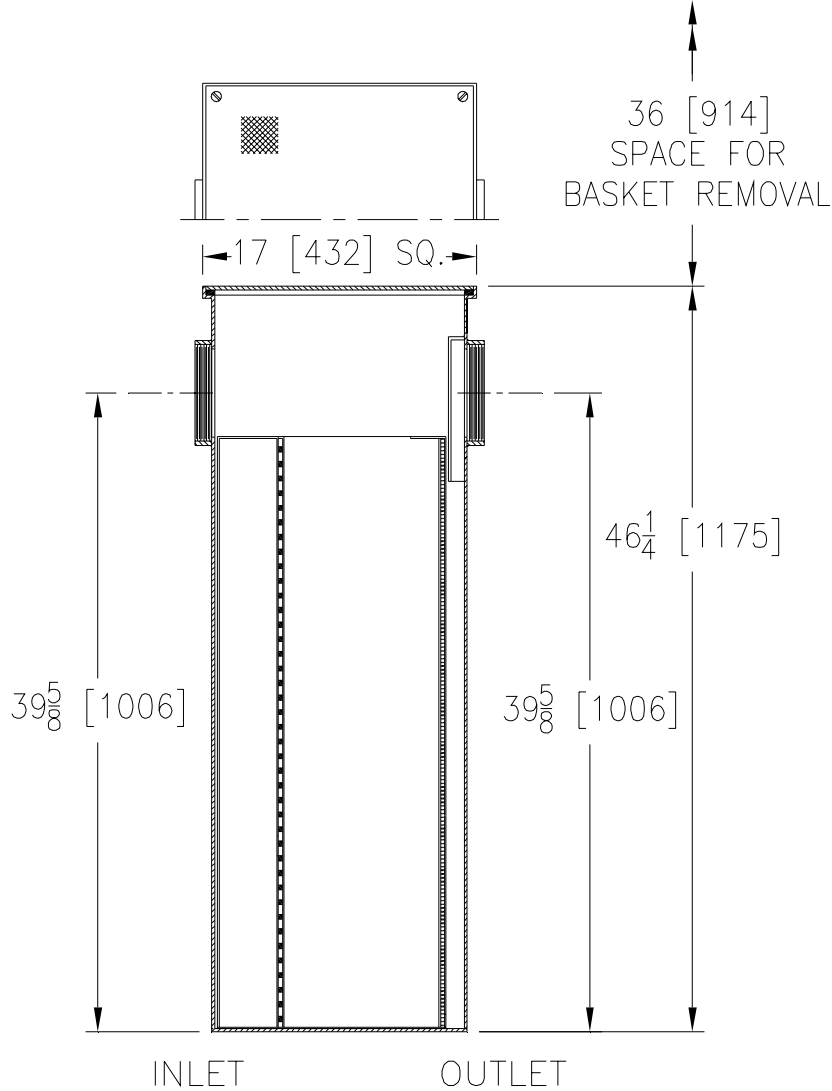


Z1181-87
LARGE CAPACITY
SOLIDS INTERCEPTOR

SPECIFICATION SHEET

TAG _____

Dimensional Data (inches and [mm]) are Subject to Manufacturing Tolerances and Change Without Notice



Size	Inlet/Outlet	Flow Rate GPM [L]	Approx. Wt. Lbs. [kg]
1500	6 [152]	300 [1136]	100 [45]

ENGINEERING SPECIFICATION: ZURN Z1181-87

Large capacity Acid Resistant Coated fabricated steel solids interceptor, in lieu of fixture 'P' trap, for on-floor or flush with floor installation, with removable primary and secondary flow diffusing/intercepting screens, and sediment bucket, with gasketed non-skid cover.

OPTIONS (Check/specify appropriate options)

PREFIXES

- ___Z Acid Resistant Coated Fabricated Steel*
- ___ZS All Fabricated Type 304 Stainless Steel

SUFFIXES

- ___-SS Custom Stainless Mesh Screen for Bucket (Specify opening size)
- ___-YR Replacement Basket Assembly

REV.	DATE: 3/21/06	C.N. NO. 94919
DWG. NO. P-15260		PRODUCT NO. Z1181-87

*REGULARLY FURNISHED UNLESS OTHERWISE SPECIFIED