



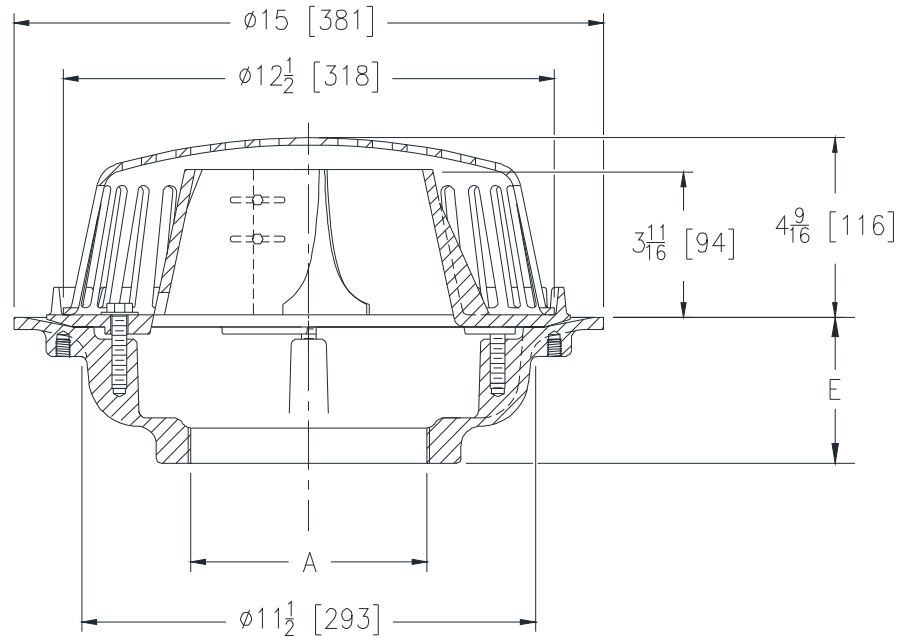
Z105-105

"CONTROL-FLO" ROOF DRAIN WITH PARABOLIC WEIR & FIXED NOTCH PLATE

SPECIFICATION SHEET

TAG _____

Dimensional Data (inches and [mm]) are Subject to Manufacturing Tolerances and Change Without Notice



Notch Plate Adjustment = 7/8" [22mm]			
Head Depth In [mm]	1 [25]	2 [51]	3 [76]
Flow Rate GPM [LPM]	5 [19]	10 [38]	15 [57]

ENGINEERING SPECIFICATION: ZURN Z105-105

Ø15 "[381mm]" "Control-Flo" roof drain for Dead-Level roof construction, Dura-Coated cast iron body with Aluminum "Control-Flow" weir with fixed notch plate to restrict flow, integral membrane flashing clamp/ gravel guard and Poly-Dome. All data shall be verified proportional to flow rates.

OPTIONS (Check/specify appropriate options)

PIPE SIZE	(Specify size/type)	OUTLET	E BODY HT. DIM.
6 [152]	_____ IP	Threaded	3-3/4 [95]

PREFIXES

_____ Z	D.C.C.I. Body with Poly-Dome*
_____ ZA	D.C.C.I. Body with Aluminum Dome
_____ ZC	D.C.C.I. Body with Cast Iron Dome
_____ ZRB	D.C.C.I. Body with Plain Bronze Dome

SUFFIXES

_____ -C	Underdeck Clamp	_____ -R	Roof Sump Receiver
_____ -DE	Deck Extension	_____ -TC	Neo-Loc Test Cap Gasket (2,3,4 [51,76,102] NL Bottom Outlet Only)
_____ -DR	Top-Set® Drain Rise	_____ -VP	Vandal Proof Secured Top
_____ -E	Static Extension	_____ -XJ	Vertical Expansion Joint (See Z190)
_____ -EA	Adjustable Extension Assembly 2-1/8 [54] thru 3-1/2 [89]	_____ -10	6 [152] High Parabolic Weir for Sloped Roof (Z or ZA)
_____ -G	Galvanized Cast Iron	_____ -90	90° Threaded Side Outlet Body

* Regularly furnished unless otherwise specified.