



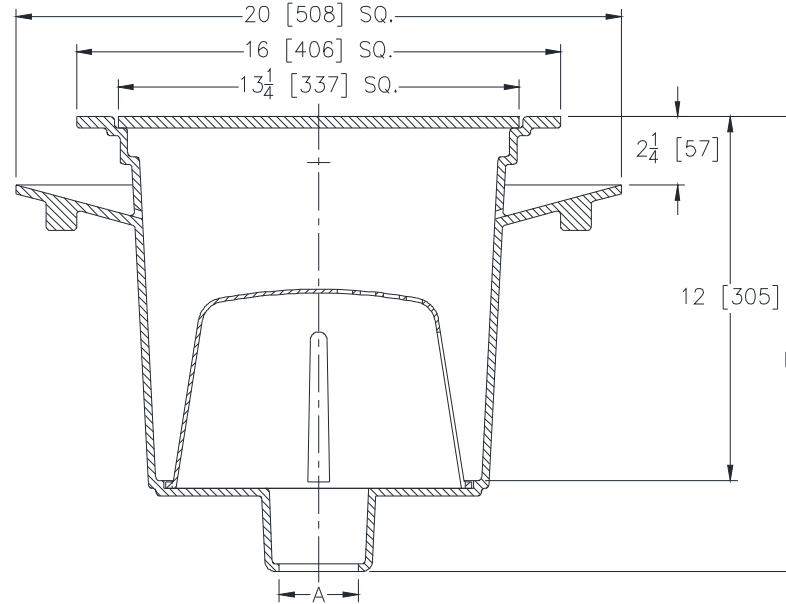
# Z1926-15

16 X 16 [406 X 406] A.R.C. SANI-FLOR RECEPTOR  
12 [305] SUMP DEPTH WITH SOLID LOOSE SET COVER

SPECIFICATION SHEET

TAG \_\_\_\_\_

Dimensional Data (inches and [ mm ]) are Subject to Manufacturing Tolerances and Change Without Notice



A- Pipe Size In. [mm]	Approx Wt. Lbs. [kg]
2, 3, 4, 5, 6, 8 [51, 76, 102, 127, 152, 203]	146 [66]

### ENGINEERING SPECIFICATION: ZURN Z1926-15

Sani-Flor Receptor 16" x 16" x 12" [406mm x 406mm x 305mm] deep cast iron body with seepage flange and solid loose set cover, with white acid resisting epoxy coated interior and top, complete with aluminum anti-splash interior bottom dome strainer.

**OPTIONS** (Check/specify appropriate options)

#### PIPE SIZE

(Specify size/type) **OUTLET**

#### 'E' BODY HT. DIMENSION

		Z	ZN
3, 4, 6 [76, 102, 152]	___ IC Inside Caulk	15 [381]	15-3/16 [386]
2, 3, 4, 5, 6, 8 [51, 76, 102, 127, 152, 203]	___ NH No-Hub	15 [381]	15-3/16 [386]
2, 3, 4 [51, 76, 102]	___ NL Neo-Loc	14-1/4 [362]	14-7/16 [367]

#### PREFIXES

- \_\_\_ Z Cast Iron Body with White A.R.C. Interior\*
- \_\_\_ ZN Cast Iron Body with White A.R.C. Interior, 16-3/4 [425] Square Nickel Bronze Frame and Full Grate

#### SUFFIXES

- \_\_\_ -C Clamping Collar
- \_\_\_ -LD (Less) Internal Bottom Dome Strainer
- \_\_\_ -P 1/2 [13] Trap Primer Connection
- \_\_\_ -TC Neo-Loc Test Cap Gasket (2, 3, 4 [51, 76, 102] NL Bottom Outlet Only)
- \_\_\_ -23 Aluminum Bucket
- \_\_\_ -25 White A.R.C. Bucket
- \_\_\_ -31 Stainless Steel Mesh Liner for Bucket
- \_\_\_ -33 White A.R.C. Anti-Splash Bottom Dome Strainer

\* Regularly furnished unless otherwise specified.