



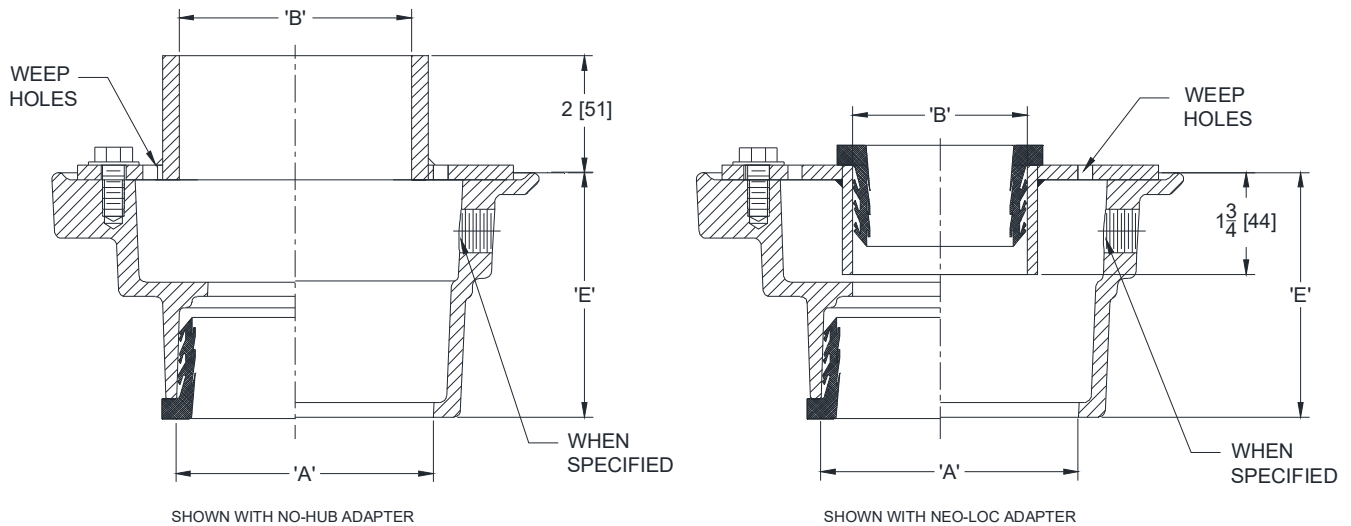
Z415-157

BODY ASSEMBLY W/ NO-HUB OR NEO-LOC COLLAR

SPECIFICATION SHEET

TAG _____

Dimensional Data (inches and [mm]) are Subject to Manufacturing Tolerances and Change Without Notice



Dimensions in Inches [mm]		Approx. Wt. Lbs. [kg]
A-Pipe Size	B-Pipe Size	
2, 3, 4 [51, 76, 102]	2, 3, 4 [51, 76, 102]	9 [4]

ENGINEERING SPECIFICATION: ZURN Z415-157

Floor and shower drain body assembly. Dura-Coated cast iron body with bottom outlet and membrane clamp collar with weep holes. Clamp collar connections can be either No-Hub or Neo-Loc adaptor.

OPTIONS (Check/specify appropriate options)

'A' PIPE SIZE

2, 3, 4 [51, 76, 102]
 2, 3, 4 [51, 76, 102]
 2, 3, 4 [51, 76, 102]
 2, 3, 4 [51, 76, 102]
 2, 3, 4 [51, 76, 102]

(Specify size/type) OUTLET

___ IC Inside Caulk
 ___ IP Threaded
 ___ IG Inside Gasket
 ___ NH No-Hub
 ___ NL Neo-Loc

'E' BODY HT. DIM.

3-7/8 [98]
 2-5/8 [67]
 3-7/8 [98]
 3-7/8 [98]
 4-5/8 [117]

PREFIXES

___ Z D.C.C.I. Body Assembly

SUFFIXES

___ -AR Acid Resisting Epoxy Coated Cast Iron
 ___ -G Galvanized Cast Iron
 ___ -P Trap Primer Connection (Specify 1/2 [13] or 3/4 [19])
 ___ -90 90° Threaded Side Outlet Body (2 [51], 3[76] Only)

'B' PIPE SIZE

___ 2 NH 2 [51] No-Hub
 ___ 3 NH 3 [76] No-Hub
 ___ 4 NH 4 [102] No-Hub
 ___ 2 NL 2 [51] Neo-Loc
 ___ 3 NL 3 [76] Neo-Loc

* Regularly furnished unless otherwise specified.