



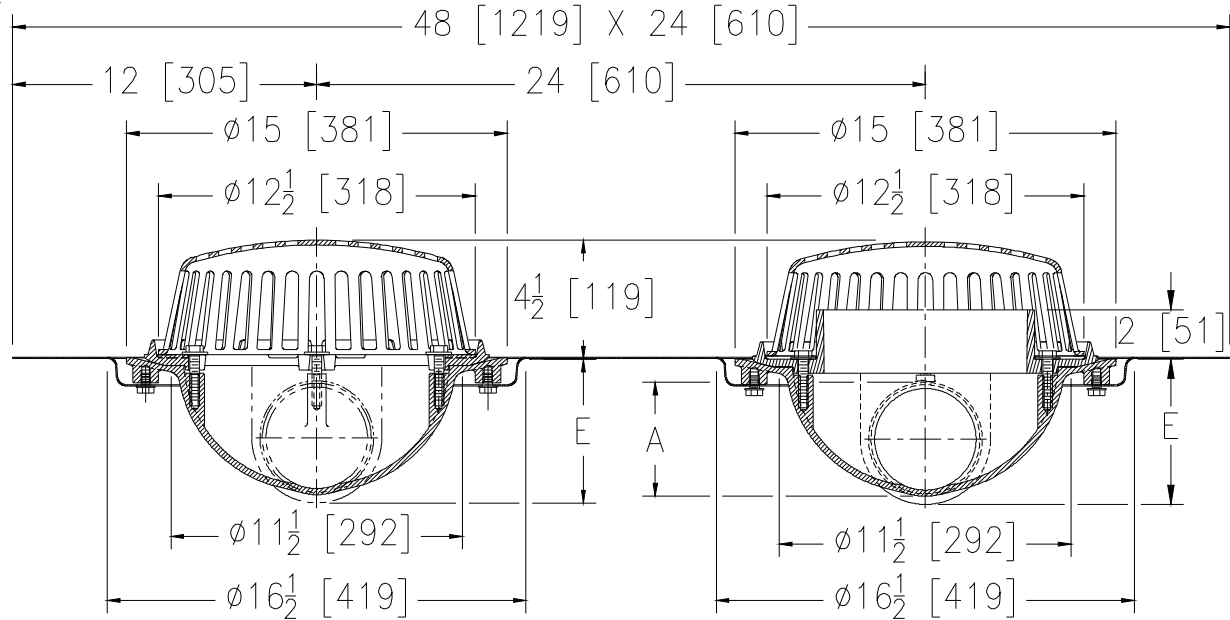
# Z163-81

Ø15 [381] COMBINATION MAIN ROOF &  
OVERFLOW DRAIN W/ SIDE OUTLETS  
& DOUBLE TOP-SET® DECK PLATE

SPECIFICATION SHEET

TAG \_\_\_\_\_

Dimensional Data (inches and [mm]) are Subject to Manufacturing Tolerances and Change Without Notice



A Pipe Size	Approx. Wt. Lbs. [kg]	Dome Open Area Sq. In. [cm <sup>2</sup> ]
2-3-4 [51-76-102]	70 [32]	103 [665]
5-6 [127-152]	90 [41]	

**ENGINEERING SPECIFICATION: ZURN Z163-81**

15 [381] Diameter roof drain and overflow drain, Dura-Coated cast iron bodies with side outlets, combination membrane flashing clamp/gravel guards, double Top-Set® deck plate, and low silhouette Poly-Domes.

**OPTIONS** (Check/specify appropriate options)

**PIPE SIZE**

2 thru 4 [51 thru 102]  
5, 6 [127, 152]

(Specify size/type) **OUTLET**

\_\_\_\_\_ IP Threaded  
\_\_\_\_\_ IP Threaded

**E BODY HT. DIM.**

5-3/4 [146]  
7-7/8 [200]

**PREFIXES**

- \_\_\_\_\_ Z D.C.C.I. Body with Poly-Dome\*
- \_\_\_\_\_ ZA D.C.C.I. Body with Aluminum Dome
- \_\_\_\_\_ ZC D.C.C.I. Body with Cast Iron Dome
- \_\_\_\_\_ ZRB D.C.C.I. Body with Plain Bronze Dome

**SUFFIXES**

- \_\_\_\_\_ -AR Acid Resistant Epoxy Coated Finish
- \_\_\_\_\_ -BS Bronze Mesh Screen Over Dome
- \_\_\_\_\_ -E Static Extension 1 thru 4 [25 thru 102] (Specify Ht.)
- \_\_\_\_\_ -EA Adjustable Extension Assembly  
2-1/8 thru 3-1/2 [54 thru 89]
- \_\_\_\_\_ -G Galvanized Cast Iron
- \_\_\_\_\_ -GD Galvanized Cast Iron Dome
- \_\_\_\_\_ -HD 6-3/4 [171] High Aluminum Dome Strainer  
(148 sq. in. [955 cm<sup>2</sup>] Open Area)(ZA Only)
- \_\_\_\_\_ -SC Secondary Clamping Collar
- \_\_\_\_\_ -SS Stainless Steel Mesh Screen Over Dome
- \_\_\_\_\_ -VP Vandal Proof Secured Top
- \_\_\_\_\_ -W3 3 [76] Internal Water Dam
- \_\_\_\_\_ -W4 4 [102] Internal Water Dam
- \_\_\_\_\_ -84 Stainless Steel Perforated Gravel Guard
- \_\_\_\_\_ -85 Stainless Steel Perforated Extension
- \_\_\_\_\_ -89 2 [51] High External Water Dam  
(Replaces Internal Dam)

\*REGULARLY FURNISHED UNLESS OTHERWISE SPECIFIED

REV.	DATE: 08/17/12	C.N. NO. 124667
DWG. NO. 310305	PRODUCT NO. Z163-81	

ZURN INDUSTRIES, LLC. ♦ SPECIFICATION DRAINAGE OPERATION ♦ 1801 Pittsburgh Ave. ♦ Erie, PA 16514

Phone: 814/455-0921 ♦ Fax: 814/454-7929 ♦ World Wide Web: www.zurn.com

In Canada: ZURN INDUSTRIES LIMITED ♦ 3544 Nashua Drive ♦ Mississauga, Ontario L4V1L2 ♦ Phone: 905/405-8272 Fax: 905/405-1292