



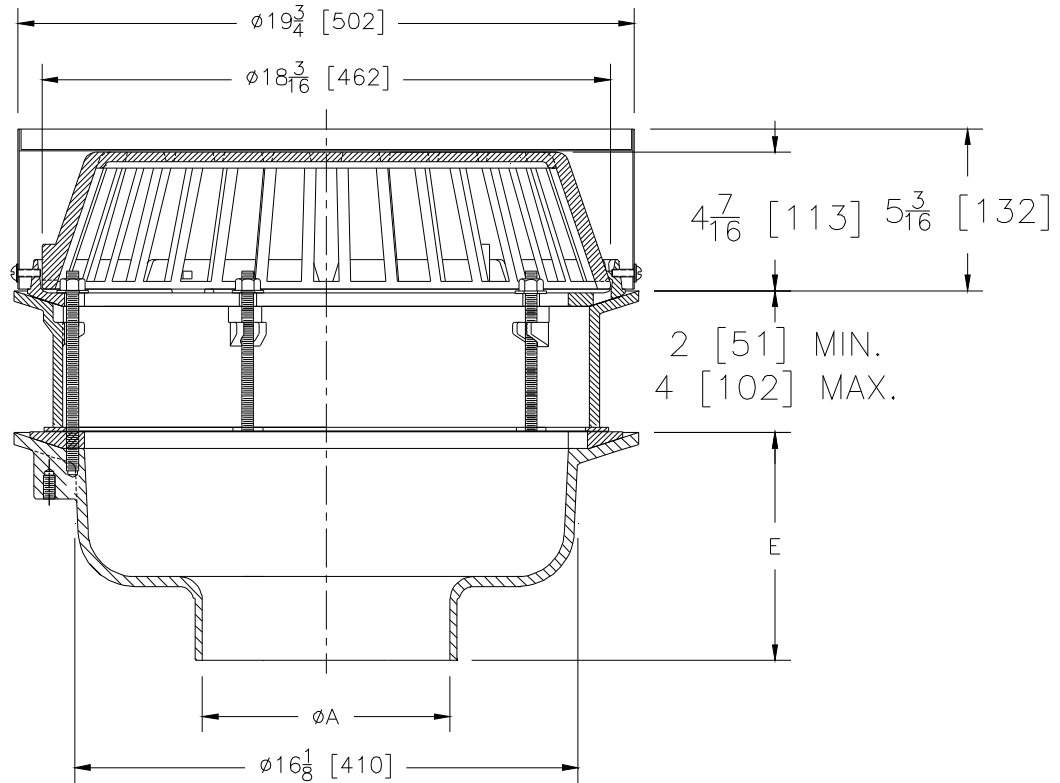
Z101-96

20 [508] DIAMETER MAIN ROOF DRAIN WITH STATIC EXTENSION, SECONDARY CLAMP, LOW SILHOUETTE DOME & SCREEN

SPECIFICATION SHEET

TAG _____

Dimensional Data (inches and [mm]) are Subject to Manufacturing Tolerances and Change Without Notice



A Pipe Size In. [mm]	Approx. Wt. Lbs. [kg]	Dome Open Area Sq. In. [cm ²]
8 [203]	110 [50]	216 [1394]
10 [254]	111 [50]	
12 [305]	112 [51]	

ENGINEERING SPECIFICATION: ZURN Z101-96

20" [508mm] Diameter roof drain. Dura-Coated cast iron body with combination membrane flashing clamp/gravel guard, secondary clamp collar, and low silhouette dome. Complete with static extension and stainless steel mesh screen over dome.

PIPE SIZE

8,10,12 [203,254,305]

(Specify size/type) OUTLET

_____ NH No-Hub

E BODY HT. DIM.

7-5/16 [185]

PREFIXES

_____ Z D.C.C.I. Body with Cast Iron Dome*

SUFFIXES

_____ -G Galvanized Cast Iron
 _____ -W2 2 [51] Internal Water Dam
 _____ -W3 3 [76] Internal Water Dam
 _____ -W4 4 [102] Internal Water Dam

* Regularly furnished unless otherwise specified.