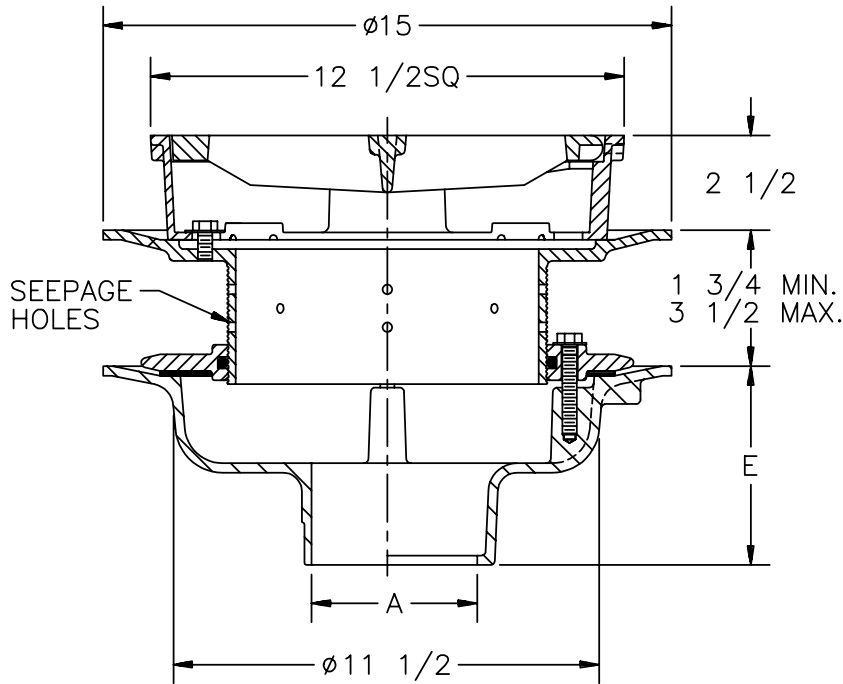




Z-610-83 12" HEAVY DUTY DRAIN

TAG _____

Dimensional Data (inches and [mm]) are Subject to Manufacturing Tolerances and Change Without Notice



A- Pipe Size In.	Approx. Wt. Lbs.	Grate Open Area Sq. In.
2-3-4-5-6	83	40
8-10	81	

ENGINEERING SPECIFICATION: ZURN Z-610-83 12" Square top drain, Dura-Coated cast iron body with bottom outlet, seepage pan and combination membrane flashing clamp, adjustable extension with seepage holes, secondary clamping collar with o-ring and frame for heavy duty cast iron loose slotted grate.

OPTIONS (Check/specify appropriate options)

OUTLET (Specify type)

- _____ **IC** Inside Caulk
- _____ **IG** Inside Caulk w/Sealtrol Gskt.
- _____ **IP** Threaded
- _____ **NH** No-Hub
- _____ **NL** Neo-Loc
- _____ **NL** Neo-Loc

PIPE SIZE (Specify size)

- _____ 2" thru 6", 8", 10"
- _____ 2", 3", 4", 6"
- _____ 2" thru 6", 8", 10"
- _____ 2" thru 6", 8", 10"
- _____ 2" thru 4"
- _____ 5", 6"

'E' BODY HT. DIMENSION

- 5-1/4"
- 5-1/4"
- 3-3/4"
- 5-1/4"
- 4-5/8"
- 5-1/2"

PREFIXES

- _____ **Z-** D.C.C.I. Body and Grate*
- _____ **ZB-** D.C.C.I. Body with Polished Bronze Grate (Add 3/16" to 2-1/2" Dim. & 3/4" to 12-1/2" Dim)
- _____ **ZN-** D.C.C.I. Body with Polished Nickel Bronze Grate (Add 3/16" to 2-1/2" Dim. & 3/4" to 12-1/2" Dim.)

SUFFIXES

- _____ **-DG** Duresist Grate
- _____ **-DX** Dex-o-tex Flange (ZB & ZN only)
- _____ **-G** Galvanized Cast Iron
- _____ **-H** Hinged Grate
- _____ **-HL** Hinged Locking Grate
- _____ **-P** Trap Primer Connection
- _____ **-S** Secondary Strainer
- _____ **-VP** Vandal Proof Secured Top
- _____ **-90** 90° Threaded Side Outlet Body (2" thru 6" only) (Previously Z-615)

*REGULARLY FURNISHED UNLESS OTHERWISE SPECIFIED

REV.	DATE: 2/3/93	C.N. NO. 68858
DWG. NO. P-13789 PRODUCT NO. Z-610-83		

ZURN INDUSTRIES, INC. ♦ SPECIFICATION DRAINAGE OPERATION ♦ 1801 Pittsburgh Ave. ♦ Erie, PA 16514

Phone: 814/455-0921 ♦ Fax: 814/454-7929 ♦ World Wide Web: www.zurn.com

In Canada: ZURN INDUSTRIES LIMITED ♦ 3544 Nashua Drive ♦ Mississauga, Ontario L4V1L2 ♦ Phone: 905/405-8272 Fax: 905/405-1292