



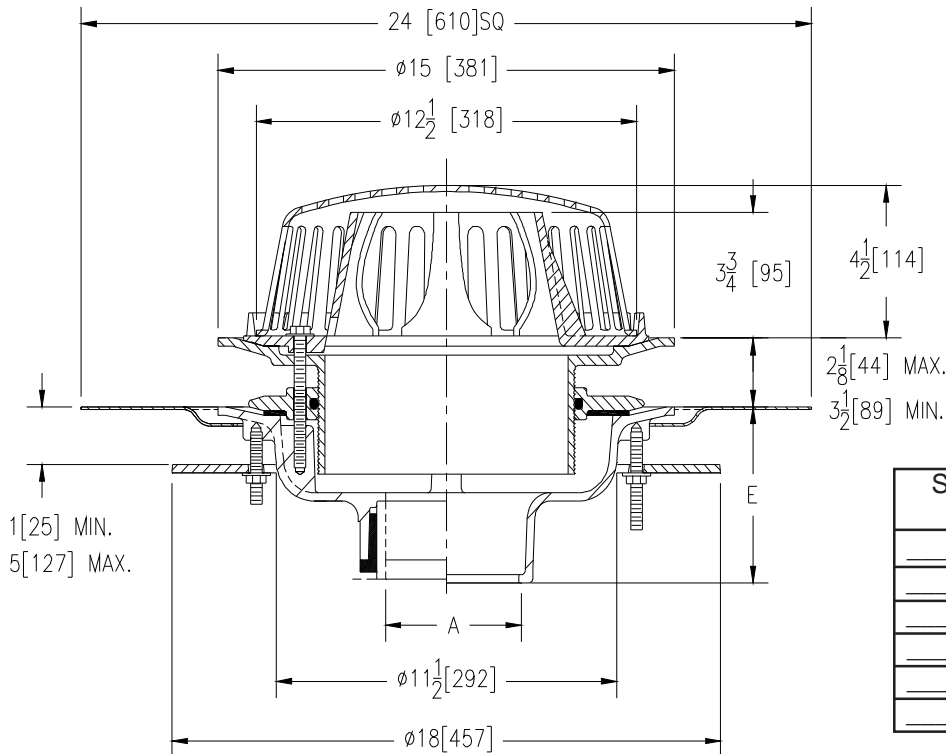
# Z105-C-EA-R

CONTROL-FLO ROOF DRAIN WITH PARABOLIC WEIR,  
UNDERDECK CLAMP, ADJUSTABLE  
EXTENSION AND ROOF SUMP RECEIVER

SPECIFICATION SHEET

TAG \_\_\_\_\_

Dimensional Data (inches and [ mm ]) are Subject to Manufacturing Tolerances and Change Without Notice



A- Pipe Size In.[mm]	Approx. Wt. Lbs. [kg]	Dome Open Area Sq. In. [cm <sup>2</sup> ]
2,3,4 [51,76,102]	56 [25]	103 [665]

## ENGINEERING SPECIFICATION: ZURN Z105-C-EA-R

Control-Flo roof drain for Dead-Level roof construction, Dura-Coated cast iron body; Control-Flo weir shall be linear functioning with integral membrane flashing clamp/gravel guard, adjustable extension, secondary clamping collar with o-ring, Poly-Dome, roof sump receiver and underdeck clamp. All data shall be verified proportional to flow rates. Each notch will allow 10GPM of flow per inch of rain water build up above drain.

**OPTIONS** (Check/specify appropriate options)

### PIPE SIZE

- 3, 4 [76,102]
- 2,3, 4 [51,76,102]
- 2,3, 4 [51,76,102]

### (Specify size/type) OUTLET

- \_\_\_ IC Inside Caulk
- \_\_\_ NH No-Hub
- \_\_\_ NL Neo-Loc

### E BODY HT. DIM.

- 5-1/4 [133]
- 5-1/4 [133]
- 4-5/8 [117]

### PREFIXES

- \_\_\_ Z D.C.C.I. Body with Poly-Dome\*
- \_\_\_ ZA D.C.C.I. Body with High Aluminum Dome
- \_\_\_ ZC D.C.C.I. Body with Cast Iron Dome

### SUFFIXES

- \_\_\_ -E Static Extension 1 [25] thru 4 [102] (Specify Ht.)
- \_\_\_ -G Galvanized Cast Iron
- \_\_\_ -TC Neo-Loc Test Cap Gasket (2,3,4 [51,76,102] NL Bottom Outlet Only)
- \_\_\_ -VP Vandal Proof Secured Top
- \_\_\_ -10 6 [152] High Parabolic Weir for Sloped Roof (See Z-105)

\* Regularly furnished unless otherwise specified.