



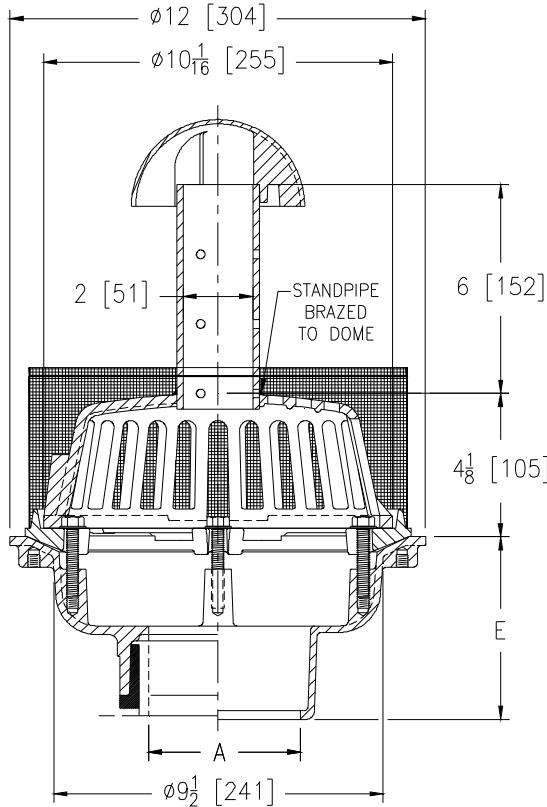
# Z121-114

12 [305] DIAMETER ROOF DRAIN W/ BRONZE MESH SCREEN, PERFORATED STANDPIPE, AND DOME

SPECIFICATION SHEET

TAG \_\_\_\_\_

Dimensional Data (inches and [ mm ]) are Subject to Manufacturing Tolerances and Change Without Notice



A Pipe Size In.	Approx. Wt. Lbs. [kg]	Dome Open Area Sq. In. [cm <sup>2</sup> ]
2-3-4-5-6 [51-76-102-127-152]	22 [10]	71 [458]

**ENGINEERING SPECIFICATION: ZURN Z121-114**  
 12 [305] Diameter roof drain. Dura-Coated cast iron body with combination membrane flashing clamp/gravel guard, low silhouette bronze dome with bronze mesh screen, and 2 [51] diameter bronze standpipe and dome.

**OPTIONS** (Check/specify appropriate options)

**PIPE SIZE**

- 2,3,4,6 [51,76,102,152]
- 2,3,4,6 [51,76,102,152]
- 2,3,4,6 [51,76,102,152]
- 2,3,4 [51,76,102]

(Specify size/type) **OUTLET**

- \_\_\_\_\_ IC Inside Caulk
- \_\_\_\_\_ IP Threaded
- \_\_\_\_\_ NH No-Hub
- \_\_\_\_\_ NL Neo-Loc

**E BODY HT. DIM.**

- 5-1/4 [133]
- 3-3/4 [95]
- 5-1/4 [133]
- 4-9/16 [116]

**PREFIXES**

- \_\_\_\_\_ ZRB D.C.C.I. Body with Plain Bronze Dome (3-7/8 [98] Dome height)\*

**SUFFIXES**

- |  |  |
|--|--|
| _____ -AR Acid Resistant Epoxy Coated Finish   | _____ -SC Secondary Clamping Collar                            |
| _____ -C Underdeck Clamp   | _____ -TC Neo-Loc Test Cap Gasket                              |
| _____ -DP Top Set® Roof Deck Plate<br>(Replaces both the -C and -R)                              | _____ (2-4 [51-102] NL Bottom Outlet Only)                     |
| _____ -DR Adjustable Drain Riser Extension Assembly<br>Adjustment from 3-5/8 [92] to 7-1/4 [184] | _____ -VP Vandal-Proof Secured Top                             |
| _____ -E Static Extension 1 [25] thru 4 [102] (Specify Ht.)                                      | _____ -XJ Vertical Expansion Joint (See Z190)                  |
| _____ -EB Top-Set® Adjustable Extension Assembly   | _____ -85 Stainless Steel Perforated Extension                 |
| _____ -G Galvanized Cast Iron  | _____ -89 2 [51] High External Water Dam                       |
| _____ -R Roof Sump Receiver  | _____ -90 90° Threaded Side Outlet Body<br>(2-4 [51-102] Only) |

<b>REV.</b>	<b>DATE: 06/22/12</b>	<b>C.N. NO. 124485</b>
<b>DWG. NO. 309991</b>	<b>PRODUCT NO. Z121-114</b>	

\*REGULARLY FURNISHED UNLESS OTHERWISE SPECIFIED