



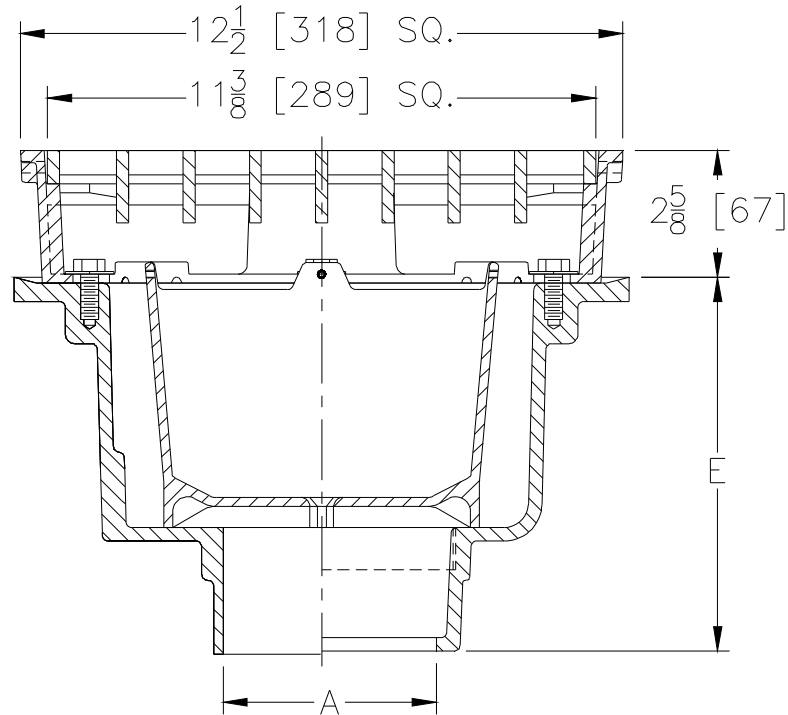
Z610-91

12 [305] HEAVY DUTY DRAIN W/ FABRICATED SLOTTED GRATE

SPECIFICATION SHEET

TAG _____

Dimensional Data (inches and [mm]) are Subject to Manufacturing Tolerances and Change Without Notice



A Pipe Size In.	Approx. Wt. Lbs. [kg]	Grate Open Area Sq. In. [cm ²]
3-4-6 [76-102-152]	54 [24]	96 [619]

ENGINEERING SPECIFICATION: ZURN Z610-91

12 [305] Square top drain, Dura-Coated cast iron body with bottom outlet, seepage pan and combination membrane flashing clamp and frame for heavy-duty loose slotted grate, with standing aluminum sediment bucket.

OPTIONS (Check/specify appropriate options)

PIPE SIZE

- 3, 4, 6 [76, 102, thru 152]
- 3, 4, 6 [76, 102, thru 152]
- 3 [76]
- 4, 6 [102, 152]
- 3, 4, 6 [76, 102, thru 152]
- 3, 4 [76, 102]

(Specify size/type) **OUTLET**

- ___ IC Inside Caulk
- ___ IG Inside Caulk w/Sealtrol Gskt.
- ___ IP Threaded
- ___ IP Threaded
- ___ NH No-Hub
- ___ NL Neo-Loc

'E' BODY HT. DIM.

- 7-3/4 [197]
- 7-3/4 [197]
- 6 [152]
- 6-5/16 [160]
- 7-13/16 [198]
- 7-3/16 [183]

PREFIXES

- ___ Z D.C.C.I. Body and Grate*

SUFFIXES

- ___ -AR Acid Resistant Epoxy Coated Finish
- ___ -DX Dex-O-tex Flange
- ___ -F Extension (As Required)
- ___ -G Galvanized Cast Iron
- ___ -P Trap Primer Connection
- ___ -TC Neo-Loc Test Cap Gasket (3 [76], 4 [102] NL Bottom Outlet Only)
- ___ -V Backwater Valve (See Z1099)
- ___ -Y Suspended Bucket
- ___ -90 90° Threaded Side Outlet Body

REV. A DATE: 6/27/12 C.N. NO. 124506

DWG. NO. P-14484 PRODUCT NO. Z610-91

*REGULARLY FURNISHED UNLESS OTHERWISE SPECIFIED