



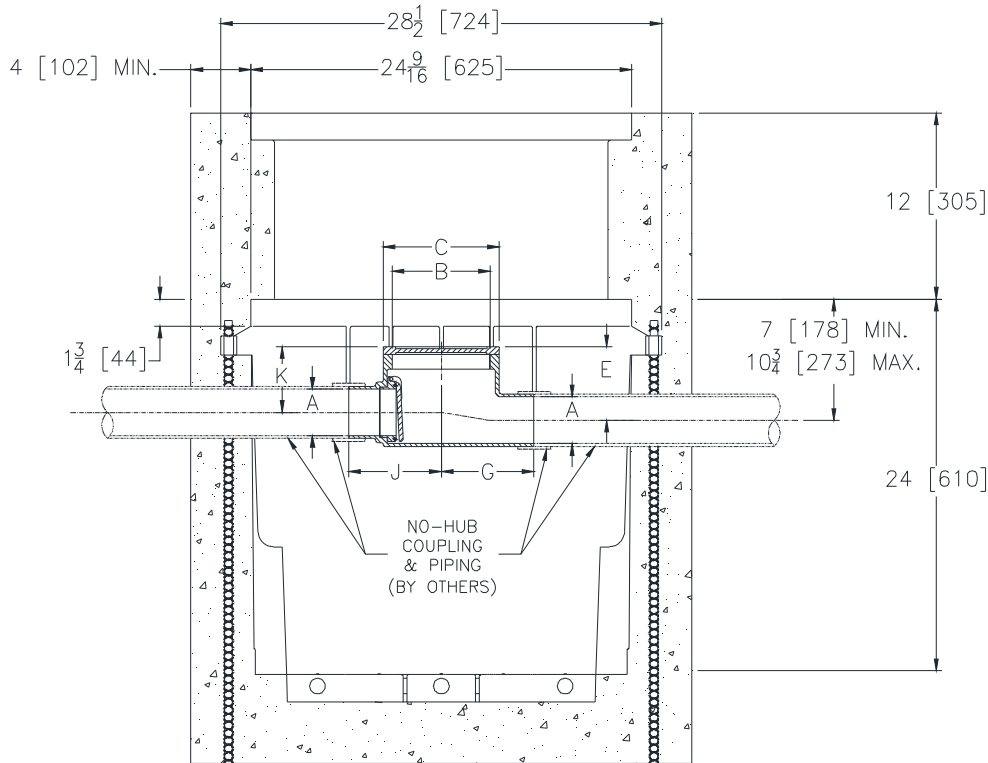
Z1090-80

BACKWATER VALVE FLAPPER TYPE W/ Z887-24-EXT-HD
AND LIGHT DUTY TREAD PLATE COVER

SPECIFICATION SHEET

TAG _____

Dimensional Data (inches and [mm]) are Subject to Manufacturing Tolerances and Change Without Notice



Dimensions In Inches							Approx. Wt. Lbs. Kg.
A Pipe Size	B	C	E	G	J	K	
2 [51]	5-1/4 [133]	6-1/2 [165]	4-5/8 [117]	4-7/8 [124]	5-1/4 [133]	3-5/8 [92]	16 [7]
3 [76]			4-1/8 [105]				17 [8]
4 [102]	6-3/8 [162]	7-1/2 [190]	4-3/4 [121]	6 [152]	6 [152]	4-1/4 [108]	22 [10]

ENGINEERING SPECIFICATION: ZURN Z1090-80

Backwater Valve, Dura-Coated cast iron body with No-Hub inlet and outlet, gasketed bolted cover, automatic type ABS valve seat and flapper which hangs slightly open during periods of non-operation. Complete with Z887-24-EXT-HD catch basin and light duty tread plate cover.

CONNECTIONS (Check/specify appropriate options)

PIPE SIZE _____ (Specify size) **CONNECTION** _____ NH No-Hub

PREFIXES
_____ Z D.C.C.I. Body*

SUFFIXES
_____ -BP Bronze Threaded Plug Cover
_____ -BV Bronze Flapper Valve (3-4 [76-102] Size)
_____ -G Galvanized Cast Iron
_____ -HD Heavy Duty Tread Plate Cover

* Regularly furnished unless otherwise specified.

Zurn Industries, LLC | Specification Drainage Operation
1801 Pittsburgh Avenue, Erie, PA U.S.A. 16502 · Ph. 855-663-9876, Fax 814-454-7929
In Canada | Zurn Industries Limited
3544 Nashua Drive, Mississauga, Ontario L4V 1L2 · Ph. 905-405-8272, Fax 905-405-1292
www.zurn.com

Rev. -
Date: 03/06/14
C.N. No. 130673
Prod. | Dwg. No. Z1090-80