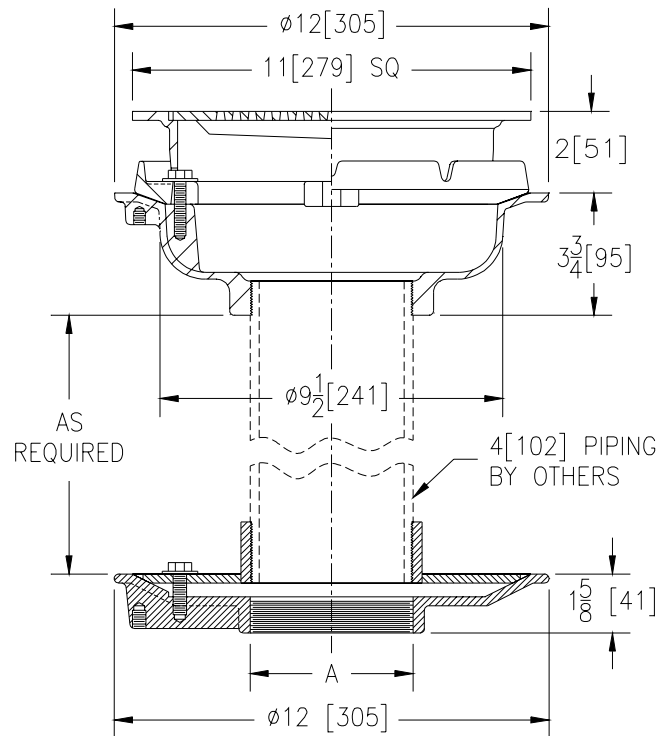




**Z-111-77**  
**12" DIAMETER ROOF DRAIN FOR METAL DECKS**  
**WITH TOP PROM-DECK DRAIN**

Dimensional Data (inches and [ mm ]) are Subject to Manufacturing Tolerances and Change Without Notice



A- Pipe Size In.	Approx. Wt. Lbs. [kg]	Grate Open Area Sq. In. [cm <sup>2</sup> ]
3-4 [75-100]	51 [23]	20 [129]
6 [150]	53 [24]	

**ENGINEERING SPECIFICATION: ZURN Z-111-77**  
 12" [305] Diameter Flat Deck roof drain for metal decks. Dura-Coated cast iron upper and lower bodies, square promanade frame and heel-proof grate, with combination membrane flashing clamp/gravel guard and secondary clamp.

**OPTIONS** (Check/specify appropriate options)

PIPE SIZE	(Specify size/type)	OUTLET	E BODY HT. DIM.
3,4 [75,100]	_____	IP Threaded	1 5/8 [41]
6 [150]	_____	IP Threaded	1 7/8 [48]

**PREFIXES**

- \_\_\_\_\_ Z- D.C.C.I. Body with Top\*
- \_\_\_\_\_ ZB- D.C.C.I. Body with Polished Bronze Top
- \_\_\_\_\_ ZN- D.C.C.I. Body with Polished Nickel Bronze Top

**SUFFIXES**

- \_\_\_\_\_ -AR Acid Resistant Epoxy Coated
- \_\_\_\_\_ -C Underdeck Clamp
- \_\_\_\_\_ -G Galvanized Cast Iron
- \_\_\_\_\_ -R Roof Sump Receiver
- \_\_\_\_\_ -TS Top Secured with Slotted Screws
- \_\_\_\_\_ -VP Vandal Proof Secured Top
- \_\_\_\_\_ -XJ Vertical Expansion Joint (See Z-190)

REV.	DATE: 5/22/00	C.N. NO. 85214
DWG. NO. P-14783 PRODUCT NO. Z-111-77		

\*REGULARLY FURNISHED UNLESS OTHERWISE SPECIFIED