

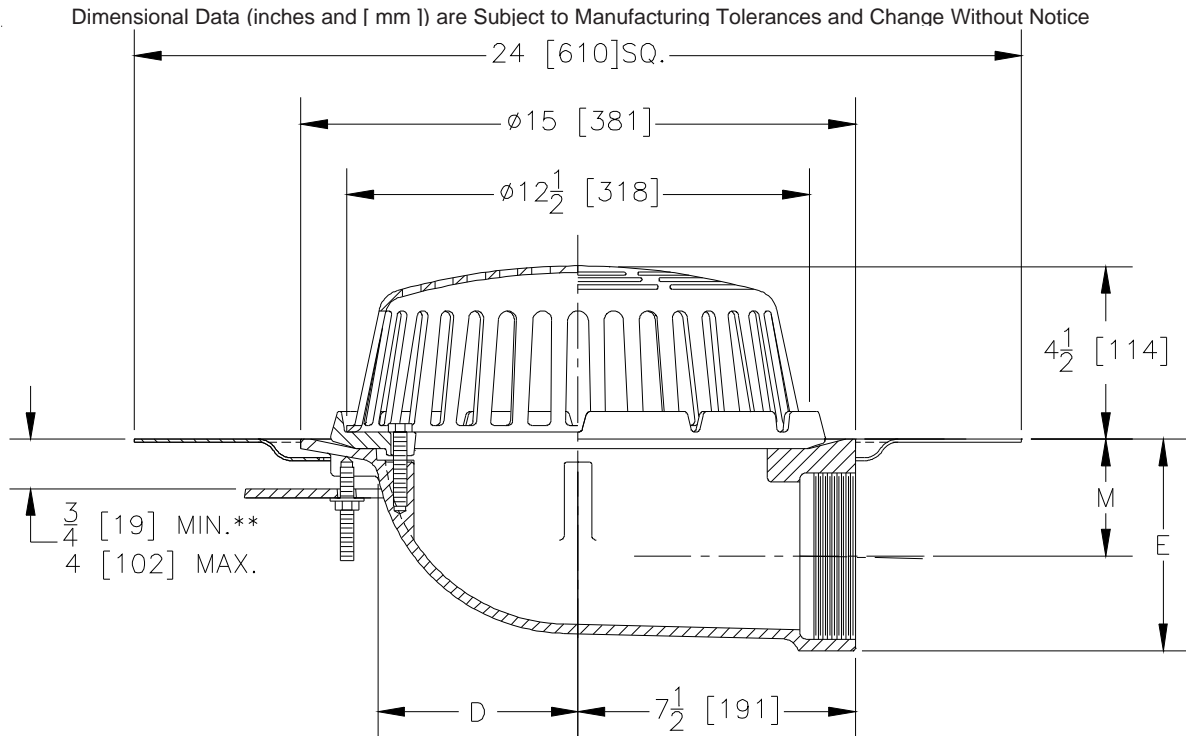


Z100-C-R-90

15 [381] DIAMETER ROOF DRAIN W/ UNDERDECK CLAMP, ROOF SUMP RECEIVER, AND 90° SIDE OUTLET

SPECIFICATION SHEET

TAG _____



Dimensions in inches [mm]			Approx Wt. lbs [kg]	Dome Open Area in ² [cm ²]
A Pipe Size	M	D		
2 [51]	5-1/2 [140]	4-1/4 [108]	26 [12]	103 [665]
3 [76]		3-3/4 [95]	27 [12]	
4 [102]		3-1/4 [83]	28 [13]	
6 [152]	5-7/8 [149]	4-1/4 [180]	32 [16]	

ENGINEERING SPECIFICATION: ZURN Z100-C-R-90 15" [381mm] Diameter roof drain. Dura-Coated cast iron 90° threaded side outlet body with combination membrane flashing clamp/gravel guard, roof sump receiver, underdeck clamp and low silhouette Poly-Dome.

OPTIONS (Check/specify appropriate options)

PIPE SIZE

2,3,4,[51,76,102]
6 [152]

(Specify size/type) **OUTLET**

_____ IP Threaded
_____ IP Threaded

E BODY HT. DIM.

5-3/4 [146]
7-7/8 [200]

PREFIXES

- _____ Z D.C.C.I. Body with Poly-Dome*
- _____ ZA D.C.C.I. Body with Aluminum Dome
- _____ ZC D.C.C.I. Body with Cast Iron Dome
- _____ ZRB D.C.C.I. Body with Plain Bronze Dome

SUFFIXES

- _____ -AR Acid Resistant Epoxy Coated Finish
- _____ -AW 3/4 [19] to 4 [102] Adjustable Water Level Regulator (Specify Height) (ZC Only)
- _____ -E Static Extension 1 [25] thru 4 [102] (Specify Ht.)
- _____ -EA Adjustable Extension Assembly 2-1/8 [54] thru 3-1/2 [89]
- _____ -FG Flush Grate
- _____ -G Galvanized Cast Iron (ZC only)
- _____ -HD 6-3/4 [171] High Aluminum Dome (148 sq. in. [955 cm²] open area)
- _____ -SC Secondary Clamping Collar
- _____ -SS Stainless Steel Mesh Screen Over Dome
- _____ -ST Dome w/ Solid Top (ZA and ZC Only)
- _____ -VP Vandal Proof Secured Top
- _____ -W2 2 [51] Internal Water Dam
- _____ -W3 3 [76] Internal Water Dam
- _____ -W4 4 [102] Internal Water Dam
- _____ -84 Stainless Steel Perforated Gravel Guard
- _____ -85 Stainless Steel Perforated Extension
- _____ -89 2 [51] High External Water Dam

* Regularly furnished unless otherwise specified.