



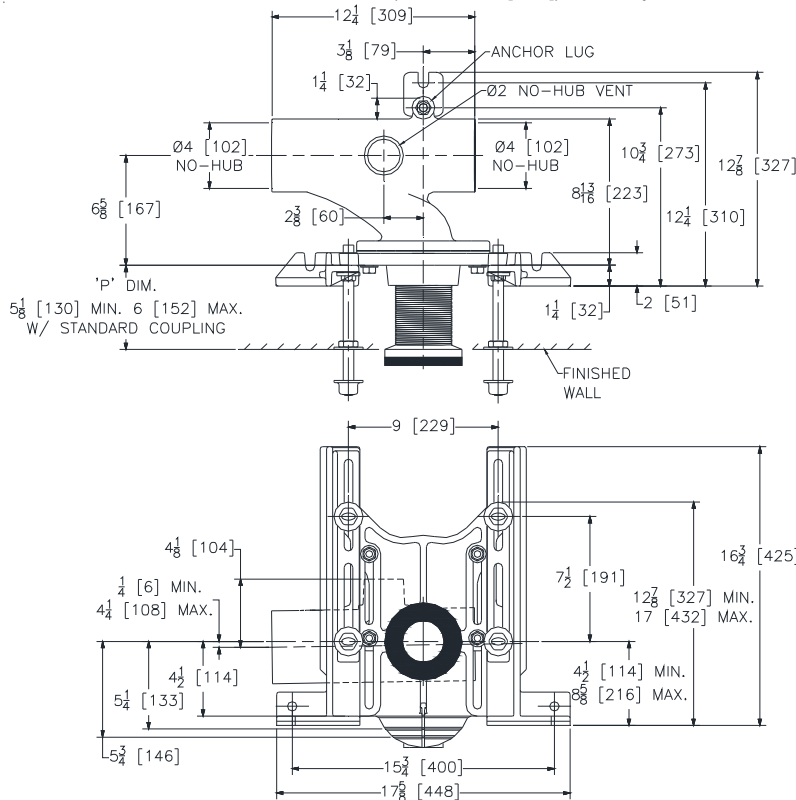
Z1201-N_4-78

EZCARRY® ADJUSTABLE HORIZONTAL HIGH PERFORMANCE SIPHON JET NO-HUB WATER CLOSET CARRIER SYSTEM WITH PREFAB FEET

SPECIFICATION SHEET

TAG _____

Dimensional Data (inches and [mm]) are Subject to Manufacturing Tolerances and Change Without Notice



Product Number	Approx. Wt. lbs [kg]
Z1201-NL4-78	58 [26]
Z1201-NR4-78	

Note:

- Z coupling, Min. 'P' Dim. Obtainable=2 [51]. EZ-Set™ Coupling, Min. 'P' Dim. Obtainable=4-1/4 [108] or 2-1/16 [52] for 12 [305] NPT.
- Feet bolted to floor using min. 1/2 [13] dia. anchors.
- Rear anchor foot required for secure installation.

Z1201-NR4-78 Illustrated

ENGINEERING SPECIFICATION: ZURN Z1201-N_4-78

EZCarry® horizontal siphon jet water closet carrier system with high performance waterway and 4" [102mm] no-hub connections. System includes Dura-Coated cast iron main fitting with hydro-mechanically optimized sweep and extended 2" [51mm] vent, adjustable gasketed faceplate, floor mounted pre-fab foot supports, heavy-duty 1/2" [13mm] rear anchor tie down, fixture bolts, trim, stud protectors, bonded "Neo-Seal" gasket, and corrosion resistant, adjustable 3" [76mm] dia. X 6" [152mm] coupling with integral test cap designed to increase flow velocity and line carry.

OPTIONS (Check/specify appropriate options)

- ___ Z1201-NL4-78 4 [102] No-Hub Left Hand Inlet with Flow to Right
 ___ Z1201-NR4-78 4 [102] No-Hub Right Hand Inlet with Flow to Left

PREFIXES

- ___ Z D.C.C.I. System with Zurn ZZ Adjustable Coupling*
 ___ ZQ D.C.C.I. System with NPT Faceplate, Non-Adjustable Coupling

SUFFIXES

- | | |
|--|--|
| ___ -A Auxiliary Support Assembly (For 'P' Dim. Greater than 18 [457]) | ___ -G Galvanized Cast Iron |
| ___ -CC Corrosion Resistant Cast Iron Coupling (2-1/4 [57] to 12 [305]) | ___ -JC 2 [51] Auxiliary Inlet with 1/8 Bend |
| ___ -CE EZ-Set™ Coupling (NPSM 6 [152], 12 [305] or custom) (NPT 12 [305] or custom) | ___ -M Auxiliary Foot Support (for 'P' Dim. 7 thru 18 [178 thru 457]) |
| ___ -CL Custom Length Standard Coupling with Integral Test Cap (Specify Length 4, 8, 10, 12 [102, 203, 254, 305]) | ___ -RYK17 One Piece Unistrut Pre-Fab Foot |
| ___ -CS 2-1/4 [57] Polymer Coupling with Integral Test Cap | ___ -VP Vandal-Proof Trim |
| ___ -F Floor Mounted, Back Outlet Fixture Support | ___ -45 Finishing Frame for Siphon Jet System |
| | ___ -50 Flush Valve Supply Support for Water Closets |

* Regularly furnished unless otherwise specified.

Zurn Industries, LLC | Specification Drainage Operation
 1801 Pittsburgh Avenue, Erie, PA U.S.A. 16502 · Ph. 855-663-9876, Fax 814-454-7929
 In Canada | Zurn Industries Limited
 3544 Nashua Drive, Mississauga, Ontario L4V 1L2 · Ph. 905-405-8272, Fax 905-405-1292
www.zurn.com

Rev. -
 Date: 4/27/2018
 C.N. No. 139955
 Prod. | Dwg. No. Z1201-N_4-78