



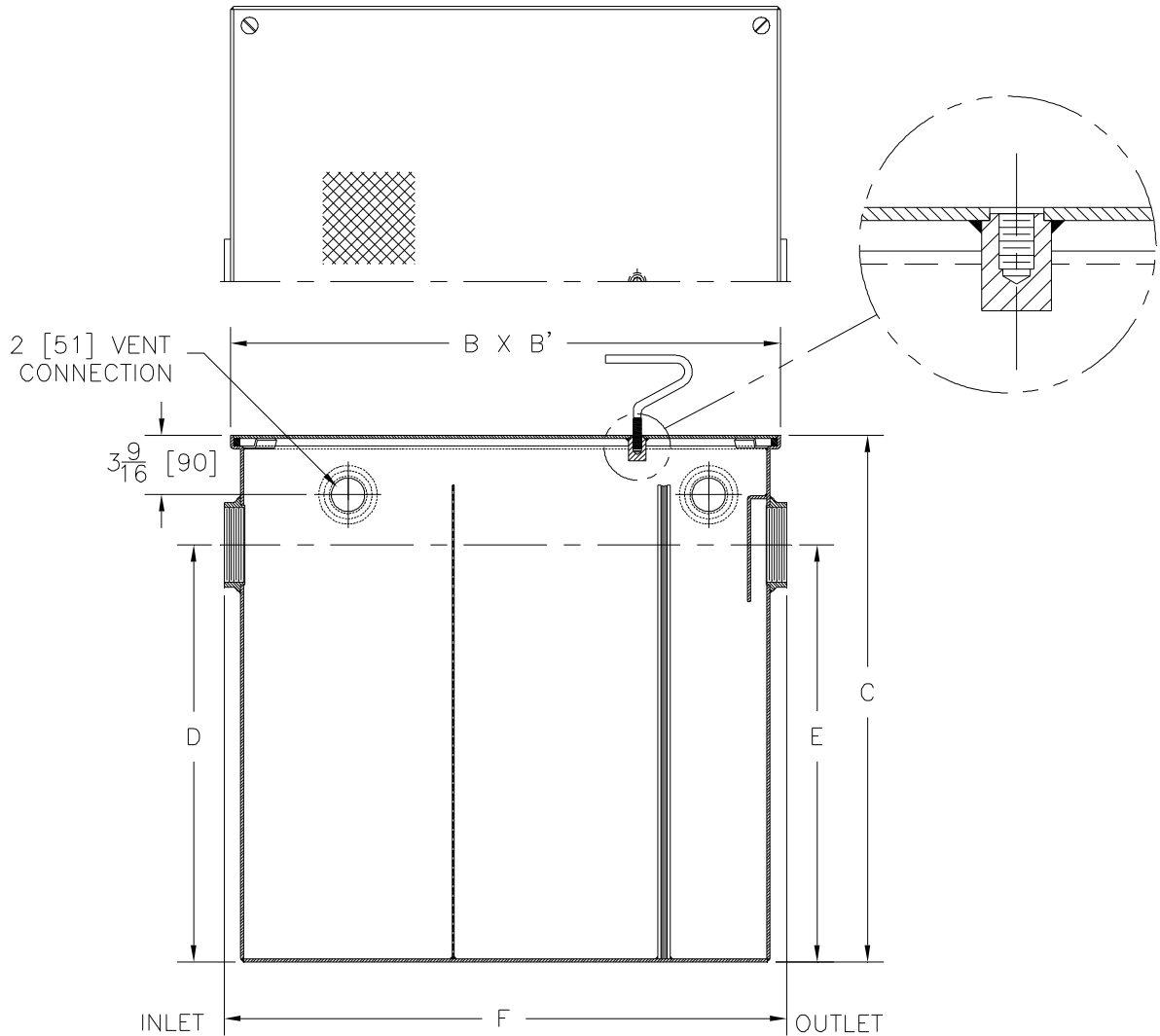
Z1185-149

HIGH CAPACITY LINT INTERCEPTOR WITH HIGH INLET/OUTLET

SPECIFICATION SHEET

TAG _____

Dimensional Data (inches and [mm]) are Subject to Manufacturing Tolerances and Change Without Notice



Capacity Gal. [L]	Inlet/Outlet Size**	Flow Rate G.P.M. [L]	Approx. Wt. Lbs. [kg]	Dimensions In Inches [mm]					
				B	B'	C	D	E	F
573.5 [2171]	6 [152]	535 [2025]	1000 [454]	52 [1321]	52 [1321]	60 [1524]	53 [1346]	53 [1346]	53 [1346]

ENGINEERING SPECIFICATION: ZURN Z1185-149 Acid Resistant Coated interior and exterior fabricated steel lint interceptor with high inlet and outlet, dual vent connections on either side, non-skid secured cover, with stainless lint intercepting secondary screen assembly and permanent primary straining baffle. Regularly furnished with high inlet and high outlet.

OPTIONS (Check/specify appropriate options)

PREFIXES

_____ Z Acid Resistant Coated Fabricated Steel*

SUFFIXES

_____ -RS Stainless Steel Screen Replacement Assembly

* Regularly furnished unless otherwise specified.

Zurn Industries, LLC | Specification Drainage Operation
 1801 Pittsburgh Avenue, Erie, PA U.S.A. 16502 · Ph. 855-663-9876, Fax 814-454-7929
 In Canada | **Zurn Industries Limited**
 3544 Nashua Drive, Mississauga, Ontario L4V 1L2 · Ph. 905-405-8272, Fax 905-405-1292
www.zurn.com

Rev. -
 Date: 10/06/2016
 C.N. No. 135317
 Prod. | Dwg. No. Z1185-149