



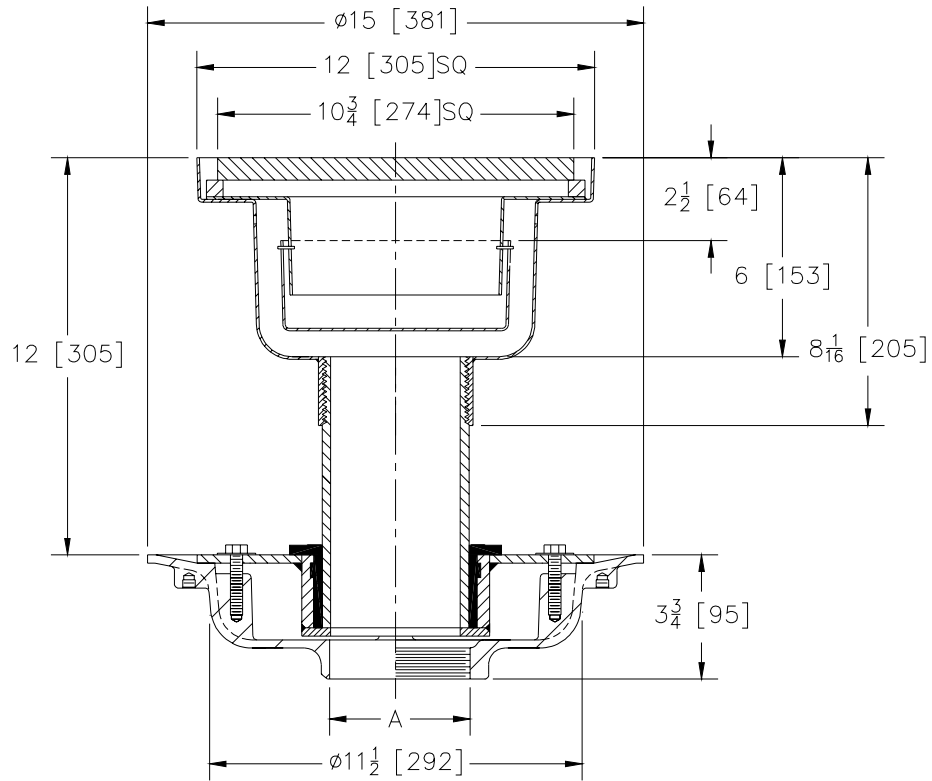
# Z1753-81

## 12 X 12 X 6 [305 X 305 X 153] DEEP SANI-FLOR RECEPTOR WITH PERIMETER DRAINAGE AND BUCKET

SPECIFICATION SHEET

TAG \_\_\_\_\_

Dimensional Data (inches and [ mm ]) are Subject to Manufacturing Tolerances and Change Without Notice



A-Pipe Size Inches	Approx Wt. Lbs [kg]
3-4 [-75-100]	57 [26]
6 [150]	59 [27]

**ENGINEERING SPECIFICATIONS:** ZURN Z1753-81 12 x 12 x 6 [305 x 305 x 153] deep, All Type 304 (CF8) Stainless Steel Sani-Flor receptor with non-tilt, 1/2 [13] thick solid cover with perimeter drainage, combination bell trap/sediment bucket. Wheel load rating 15,000 Lbs. Upper drain body must be supported by concrete pour. Lower stainless steel body furnished with clamp collar, isolation nipple, and neoprene flex gasket.

**OPTIONS** (Check/specify appropriate options)

**PIPE SIZE**

3, 4, 6 [75, 100, 150]

3, 4 [75, 100]

(Specify size/type) **OUTLET**

- \_\_\_\_\_ BW Butt-weld  
(Specify Schedule 10, 40 or 80)
- \_\_\_\_\_ IP Threaded

**PREFIXES**

\_\_\_\_\_ Z Type 304 (CF8) Stainless Steel\*

**SUFFIXES**

- \_\_\_\_\_ -C Galvanized Underdeck Clamp
- \_\_\_\_\_ -E Extension
- \_\_\_\_\_ -K Seepage Pan
- \_\_\_\_\_ -KC Seepage Pan With Clamp Collar
- \_\_\_\_\_ -LBT Less Bell Trap
- \_\_\_\_\_ -LY Less Bucket
- \_\_\_\_\_ -P 1/2 [13] Trap Primer Connection
- \_\_\_\_\_ -R Recessing Sump Receiver
- \_\_\_\_\_ -SR 1/2 [13] Thick Sanitary Rim at Top of Drain Body
- \_\_\_\_\_ -1 Less Cover

\*REGULARLY FURNISHED UNLESS OTHERWISE SPECIFIED

REV. \_\_\_\_\_ DATE: 2/11/03 C.N. NO. 90231

DWG. NO. P-14967 PRODUCT NO. Z1753-81

ZURN INDUSTRIES, INC. ♦ SPECIFICATION DRAINAGE OPERATION ♦ 1801 Pittsburgh Ave. ♦ Erie, PA 16514

Phone: 814/455-0921 ♦ Fax: 814/454-7929 ♦ World Wide Web: www.zurn.com

In Canada: ZURN INDUSTRIES LIMITED ♦ 3544 Nashua Drive ♦ Mississauga, Ontario L4V1L2 ♦ Phone: 905/405-8272 Fax: 905/405-1292