



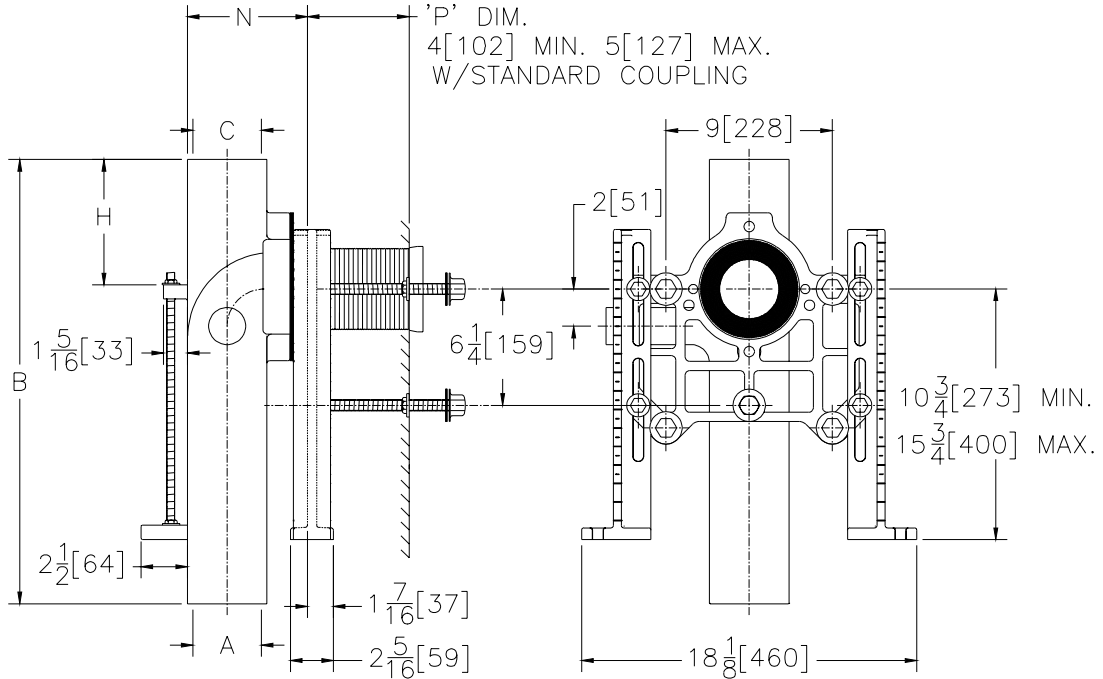
Z-1208-B

VERTICAL BLOWOUT WATER CLOSET SUPPORT SYSTEM

SPECIFICATION SHEET

TAG _____

Dimensional Data (inches and [mm]) are Subject to Manufacturing Tolerances and Change Without Notice



Product No.	Dimensions In Inches					Approx. Wt. Lbs. [kg]
	A	B	C	H	N	
Z-1208-H42	4 [102]	14 3/4 [375]	2 [51]	4 3/8 [111]	6 1/4 [159]	60[27]
Z-1208-H44		15 1/4 [387]	4 [102]	4 7/8 [124]	7 5/16 [186]	
Z-1208-N32	3 [76]	18 [457]	2 [51]	6 1/4 [159]	4 3/4 [121]	
Z-1208-N42	4 [102]			24 [610]	4 [102]	
Z-1208-N44						

ENGINEERING SPECIFICATION:

ZURN Z-1208-B (), Vertical Blowout Water Closet "Rigid System" with () size No-Hub or Hub and Spigot connections. Complete with Dura-Coated cast iron main fitting, separable face plate rigidly mounted on fitting, universal floor mounted foot supports, corrosion resistant adjustable ABS coupling with integral test cap, fixture bolts, trim, and stud protectors. Rear anchor tie down, and bonded "Neo-Seal" gasket.

PRODUCT/DEFINITION

_____	Z-1208-H42	4 [102]	Spigot,	2 [51]	Hub Vent
_____	Z-1208-H44	4 [102]	Spigot,	4 [102]	Hub Vent
_____	Z-1208-N32	3 [76]	No-Hub,	2 [51]	No-Hub Vent
_____	Z-1208-N42	4 [102]	No-Hub,	2 [51]	No-Hub Vent
_____	Z-1208-N44	4 [102]	No-Hub,	4 [102]	No-Hub Vent

PREFIXES

_____	Z-	D.C.C.I. System with Zurn "ZZ" Adjustable Coupling *
_____	ZQ-	D.C.C.I. System with N.P.T. Inlet, Non-Adjustable Coupling

SUFFIXES

_____	-A	Auxiliary Support Assembly (For P-Dim. greater than 18 [457])
_____	-CC	Corrosion Resistant C.I. Coupling 6 [152] Long
_____	-CL	Coupling Length Greater than 12 [305] (Specify length if greater than 6 [152])
_____	-F	Floor Mounted, Back Outlet Fixture Support
_____	-G	Galvanized Cast Iron
_____	-JJ	Two 2 [51] Auxiliary Inlets
_____	-JL	2 [51] Left Hand Auxiliary Inlet
_____	-JR	2 [51] Right Hand Auxiliary Inlet
_____	-M	Auxiliary Foot Support (For P-Dim. 10 [254] to 18 [457])
_____	-T	Threaded Connection (Available on Restricted Basis Only)
_____	-VP	Vandal Proof Trim

Note:

1. Min. 'P' Dim. Obtainable=2 [51]
2. Feet bolted to floor using min. 1/2 [13] dia. bolts and back slots on carrier feet.
3. Back anchor foot required for secure installation.

_____	-W	Adapter for Womens Urinal
_____	-X3	3 [76] Foot Extension Assembly
_____	-X4	4 [102] Foot Extension Assembly
_____	-29	Mechanical Test Cap Assembly (Previously Z-1210-29)
_____	-45	Finishing Frame for Siphon Jet System (For Blowout System specify -45-B) (Previously Z-1210-45)
_____	-50	Flush Valve Supply Support for W.C. (Previously Z-1210-50)
_____	-61	"ZZ" Coupling Wrench

*REGULARLY FURNISHED UNLESS OTHERWISE SPECIFIED

REV. B	DATE: 1/23/98	C.N. NO. 79570
DWG. NO. 58076	PRODUCT NO. Z-1208-B	

ZURN INDUSTRIES, INC. ♦ SPECIFICATION DRAINAGE OPERATION ♦ 1801 Pittsburgh Ave. ♦ Erie, PA 16514

Phone: 814/455-0921 ♦ Fax: 814/454-7929 ♦ World Wide Web: www.zurn.com

In Canada: ZURN INDUSTRIES LIMITED ♦ 3544 Nashua Drive ♦ Mississauga, Ontario L4V1L2 ♦ Phone: 905/405-8272 Fax: 905/405-1292