



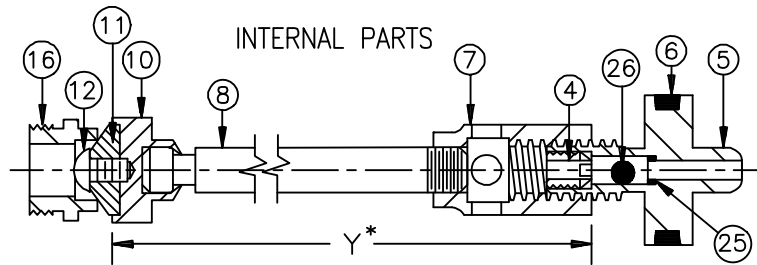
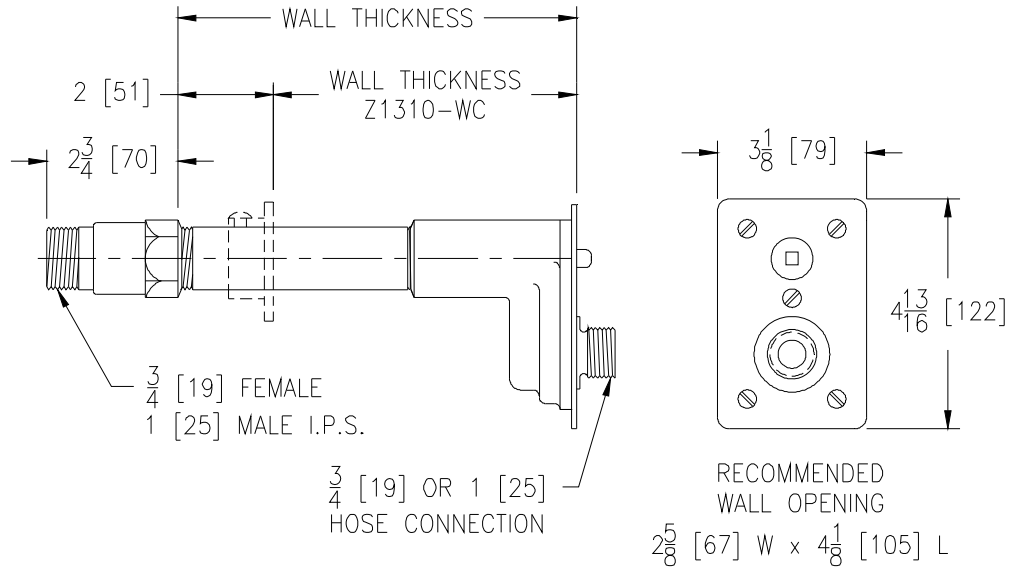
# Z1310-80

## ECOLOTRON WALL HYDRANT Exposed, Non-Freeze, Anti-Siphon, Automatic Draining W/ Chrome Plated Face Plate

SPECIFICATION SHEET

TAG \_\_\_\_\_

Dimensional Data (inches and [ mm ]) are Subject to Manufacturing Tolerances and Change Without Notice



Wall Thickness Inches	Approx. Wt. Lbs. [kg]
4-6-8 [102-152-203]	5 [2]
10-12-14 [254-305-356]	8 [4]
16-18 [406-457]	11 [5]
20-22-24 [508-559-610]	14 [6]

**ENGINEERING SPECIFICATION:** ZURN Z1310-80 Exposed Ecolotron "anti-siphon" automatic draining wall hydrant. Complete with non-freeze integral backflow preventer, bronze casing, all bronze interior parts, non-turning operating rod with free-floating compression closure valve, replaceable bronze seat and seat washer, and combination 3/4 [19] female or 1 [25] male straight IP inlet. Chrome plated bronze face with operating key.

**OPTIONS** (Check/specify appropriate options)

**SUFFIXES**

- \_\_\_ -RA2 12 [305] Replacement Rod Assembly with Repair Kit (-RK)
- \_\_\_ -RA4 24 [610] Replacement Rod Assembly with Repair Kit (-RK)
- \_\_\_ -RK Hydrant Parts Repair Kit
- \_\_\_ -WC Wall Clamp
- \_\_\_ -34FS 3/4 [19] Solder Female Inlet Adapter
- \_\_\_ -34UN 3/4 [19] IP 90° Inlet Elbow w/Union Nut

**PARTS LIST**

Item	Name	Quan.
6	O-Ring	1
4	Screw	1
5	Operating Screw	1
7	Operating Coupling	1
8	Operating Rod	1
10	Washer Guide	1
11	Washer (neoprene)	1
12	Screw	1
16	Removable Seat	1
25	O-Ring	1
26	Ball	1

REV.	DATE: 11/15/10	C.N. NO. 120434
DWG. NO. 303416 PRODUCT NO. Z1310-80		

\*WHEN ORDERING REPLACEMENT PARTS SPECIFY DIM.