



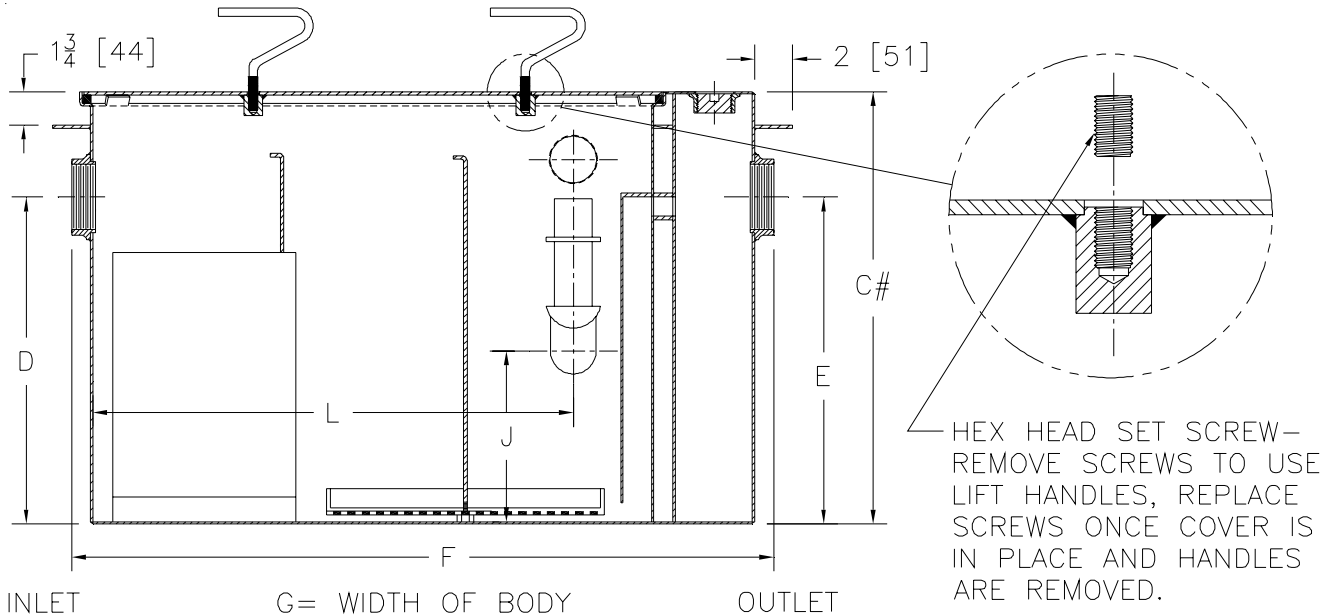
Z1188-K

LARGE CAPACITY OIL INTERCEPTOR WITH ANCHOR FLANGE

SPECIFICATION SHEET

TAG _____

Dimensional Data (inches and [mm]) are Subject to Manufacturing Tolerances and Change Without Notice



Flow Rate GPM[L]Min	Inlet/Outlet Size	Water Capacity Gal. [L]	App. Wt. Lbs. [Kg]	No. of Covers	Dimensions In Inches					
					C	D/E	F	G	J	L
75 [284]	3 [75]	65 [246]	332 [151]	1	25 3/4 [654]	18 1/2 [470]	36 [914]	28 5/8 [727]	6 7/8 [175]	25 3/4 [654]
100 [379]	3 [75]	110 [306]	432 [196]	1	30 [762]	23 [584]	42 3/4 [1086]	33 5/8 [854]	11 3/8 [289]	30 1/8 [765]
125 [473]	3 [75]	150 [568]	780 [354]	2	33 1/8 [840]	24 1/2 [622]	49 1/4 [1251]	40 [1016]	12 7/8 [327]	36 5/8 [916]
150 [568]	4 [100]	190 [719]	888 [403]	2	33 3/4 [857]	25 1/4 [641]	56 [1422]	41 3/8 [1051]	13 1/8 [333]	43 7/8 [1114]
200 [757]	4 [100]	265 [1003]	1055 [478]	2	38 1/2 [978]	29 7/8 [759]	61 [1549]	43 5/8 [2286]	17 3/4 [451]	46 5/8 [1184]
250 [946]	5 [125]	460 [1741]	1438 [625]	2	44 [1118]	36 [914]	71 [1803]	51 3/8 [1305]	23 3/8 [594]	56 5/8 [1438]
300 [1136]	5 [125]	660 [2498]	1840 [835]	2	49 1/4 [1245]	39 5/8 [1006]	80 [2032]	58 3/8 [1483]	27 [686]	65 5/8 [1667]
350 [1325]	6 [150]	860 [3255]	2180 [989]	2	53 1/2 [1358]	43 7/8 [1114]	87 [2210]	63 5/8 [1616]	30 3/4 [781]	74 1/8 [1882]
400 [1514]	6 [150]	1090 [4126]	2536 [1150]	3	57 1/4 [1454]	47 5/8 [1210]	94 [2388]	67 [1702]	34 1/2 [876]	79 1/8 [2009]
450 [1703]	6 [150]	1275 [4826]	2816 [1277]	3	58 1/4 [1480]	48 5/8 [1235]	100 [2540]	72 [1829]	35 1/2 [902]	85 3/8 [2168]
500 [1893]	6 [150]	1435 [5431]	2970 [1347]	3	60 1/4 [1530]	51 5/8 [1311]	104 [2642]	74 [1880]	38 1/2 [978]	88 3/8 [2245]

ENGINEERING SPECIFICATION: ZURN Z1188-K

Large capacity Acid Resistant Coated interior and exterior fabricated steel oil interceptor, with bronze cleanout plug and visible double wall trap seal, anchor flange, removable combination pressure equalizing/flow diffusing baffle and sediment bucket, horizontal baffle, adjustable oil draw-off and vent connections either side. Complete with secured, gasketed, non-skid cover with removable lift handles and flow control fitting. Regularly furnished with inlet and outlet in high position.

OPTIONS (Check/specify appropriate options)

PREFIXES

___ **Z** Acid Resistant Coated Fabricated Steel*

SUFFIXES

- ___ **-E** Acid Resistant Coated interior and exterior fabricated steel extension section. (Specify 'C' Dim. required) for recessed installation.
- ___ **-HD** Heavy-duty traffic cover rated at 10,000 lbs [4536 Kg] maximum safe live load.

REV. B	DATE: 5/8/07	C.N. NO. 96581
DWG. NO. 61449	PRODUCT NO. Z1188-K	

*REGULARLY FURNISHED UNLESS OTHERWISE SPECIFIED