



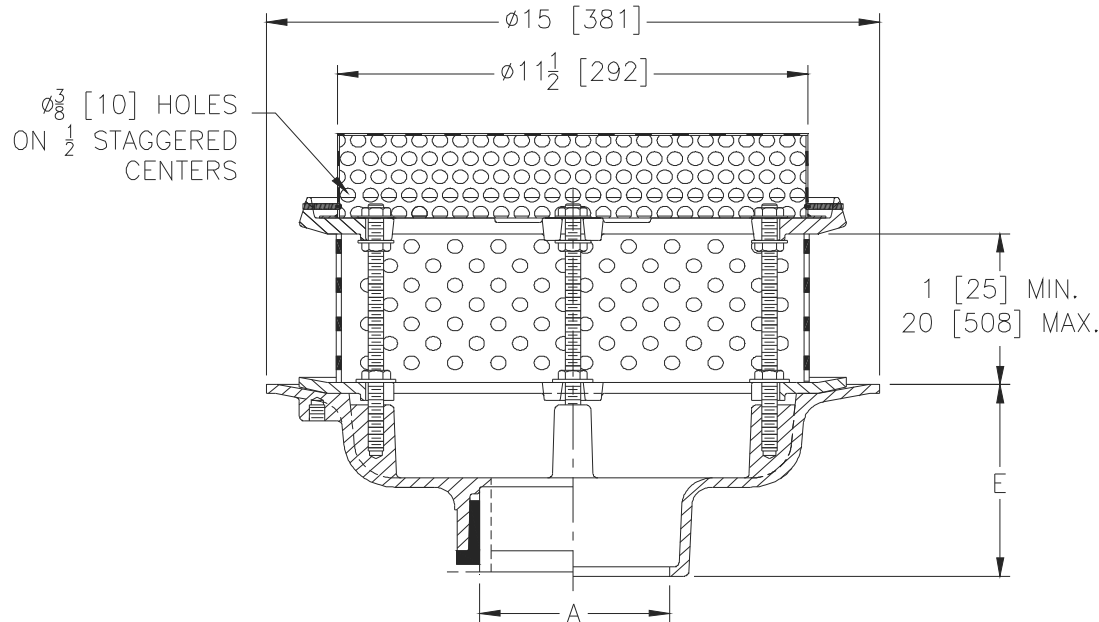
Z100-302

15 [381] DIA. MAIN ROOF DRAIN W/ 2 1/2 [64] HIGH S.S. PERFORATED DOME & PERFORATED EXTENSION

SPECIFICATION SHEET

TAG _____

Dimensional Data (inches and [mm]) are Subject to Manufacturing Tolerances and Change Without Notice



A Pipe Size In. [mm]	Approx. Wt. Lbs. [kg]	Dome Open Area Sq. In. [cm ²]
2,3,4 [51,76,102]	28 [13]	95 [613]
5,6 [127,152]	26 [12]	
8 [203]	29 [13]	

ENGINEERING SPECIFICATION: ZURN Z100-302

15" [381 mm] Diameter roof drain. Dura-Coated cast iron body with combination membrane flashing clamp/gravel guard, 18 gauge stainless steel perforated extension, aluminum secondary clamping collar, and 2-1/2" [64mm] high stainless steel perforated dome with 3/8" [10mm] diameter holes.

OPTIONS (Check/specify appropriate options)

PIPE SIZE

- 2,3,4,5,6,8 [51,76,102,127,152,203]
- 2,3,4,5,6,8 [51,76,102,127,152,203]
- 2,3,4,5,6,8 [51,76,102,127,152,203]
- 2,3,4 [51,76,102]
- 6 [152]

(Specify size/type) **OUTLET**

- _____ IC Inside Caulk
- _____ IP Threaded
- _____ NH No-Hub
- _____ NL Neo-Loc
- _____ NL Neo-Loc

E BODY HT. DIM.

- 5-1/4 [133]
- 3-3/4 [95]
- 5-1/4 [133]
- 4-9/16 [116]
- 5-7/16 [112]

PREFIXES

- _____ ZS D.C.C.I. Body with Stainless Steel Perforated Dome*

SUFFIXES

- | | |
|---|--|
| _____ -AC Angular Underdeck Clamp | _____ -R Roof Sump Receiver |
| _____ -AR Acid Resistant Epoxy Coated | _____ -SS Stainless Steel Mesh Screen Over Dome |
| _____ -C Underdeck Clamp | _____ -TC Neo-Loc Test Cap Gasket
(2,3,4 [51,76,102] NL Bottom Outlet Only) |
| _____ -DE Deck Extension | _____ -84 Stainless Steel Perforated Gravel Guard |
| _____ -DP Top-Set® Deck Plate (Replaces both the -C and -R) | _____ -90 90° Threaded Side Outlet Body
(2,3,4,5,6 [51,76,102,127,152]) |
| _____ -DR Top-Set® Drain Riser | |
| _____ -DX Dex-o-tex Flange | |
| _____ -E Static Extension 1 [25] thru 4 [102] (Specify Ht.) | |
| _____ -EA Adjustable Extension Assembly
2-1/8 [54] thru 3-1/2 [89] | |
| _____ -EB Top-Set® Adjustable Extension Assembly | |
| _____ -G Galvanized Cast Iron | |

* Regularly furnished unless otherwise specified.