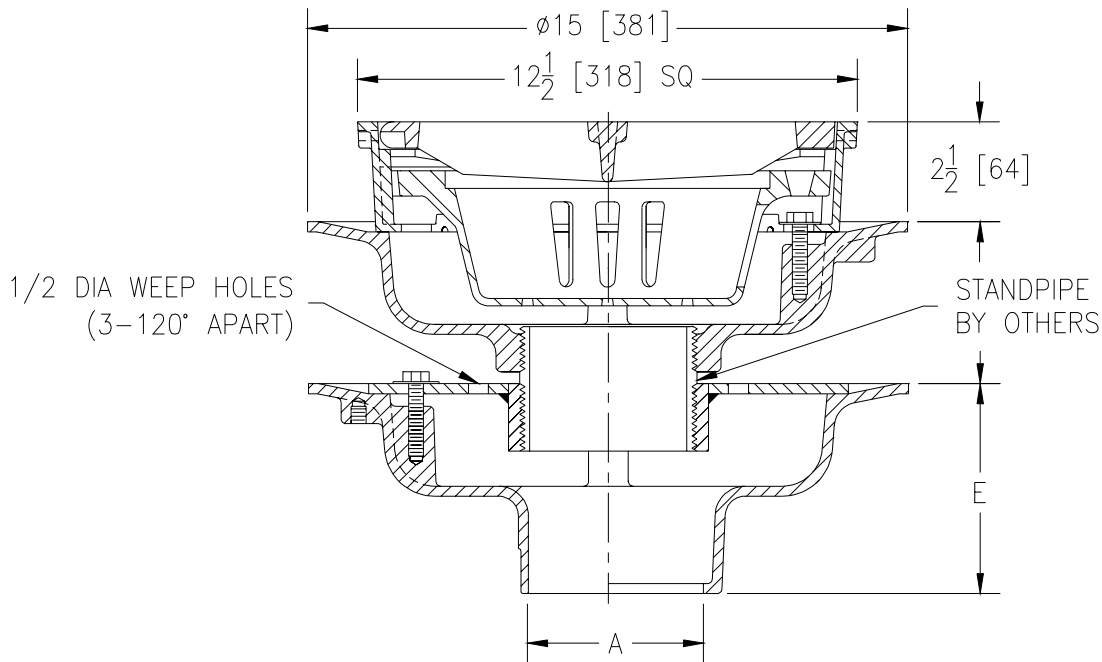




Z-627-77
ISOLATION DECK
ADJUSTABLE HEAVY DUTY DRAIN

TAG _____

Dimensional Data (inches and [mm]) are Subject to Manufacturing Tolerances and Change Without Notice



A- Pipe Size In.	Approx. Wt. Lbs. [kg]	Grate Open Area Sq. In. [cm ²]
2-3-4 [50-75-100]	72 [33]	40 [258]
5-6 [125-150]		

ENGINEERING SPECIFICATION: ZURN Z-627-77 Isolation deck adjustable drain, Dura-Coated cast iron upper and lower bodies, clamp collar, upper body seepage pan and combination membrane flashing clamp and frame for heavy duty cast iron loose slotted grate with suspended sediment bucket.

OPTIONS (Check/specify appropriate options)

PIPE SIZE

- 2 thru 6 [50 thru 150]
- 2 thru 4, 6 [50 thru 100, 150]
- 2 thru 6 [50 thru 150]
- 2 thru 6 [50 thru 150]
- 2 thru 4 [50 thru 100]

(Specify size/type) **OUTLET**

- ___ IC Inside Caulk
- ___ IG Inside Caulk w/Sealtrol Gskt.
- ___ IP Threaded
- ___ NH No-Hub
- ___ NL Neo-Loc

'E' BODY HT. DIM.

- 5 1/4 [133]
- 5 1/4 [133]
- 3 3/4 [95]
- 5 1/4 [133]
- 4 5/8 [117]

PREFIXES

- ___ Z- D.C.C.I. Body and Grate*
- ___ ZB- D.C.C.I Body w/Polished Bronze Top (Add 3/16 [5] to 2 [51] and 5/8 [16] to 9 [229] Dim.)
- ___ ZN- D.C.C.I Body w/Polished Nickel Bronze Top (Add 3/16 [5] to 2 [51] and 5/8 [16] to 9 [229] Dim.)

SUFFIXES

- ___ -AR Acid Resistant Epoxy Coated Finish
- ___ -C Underdeck Clamp
- ___ -DG Duresist Grate
- ___ -F Extension
- ___ -G Galvanized Cast Iron
- ___ -H Hinged Grate
- ___ -HL Hinged Locking Grate
- ___ -R Sump Receiver
- ___ -TS Top Secured with Slotted Screws
- ___ -VP Vandal Proof Secured Top

*REGULARLY FURNISHED UNLESS OTHERWISE SPECIFIED

REV. A	DATE: 08/26/97	C.N. NO. 78405
DWG. NO. P-14488		PRODUCT NO. Z-627-77