



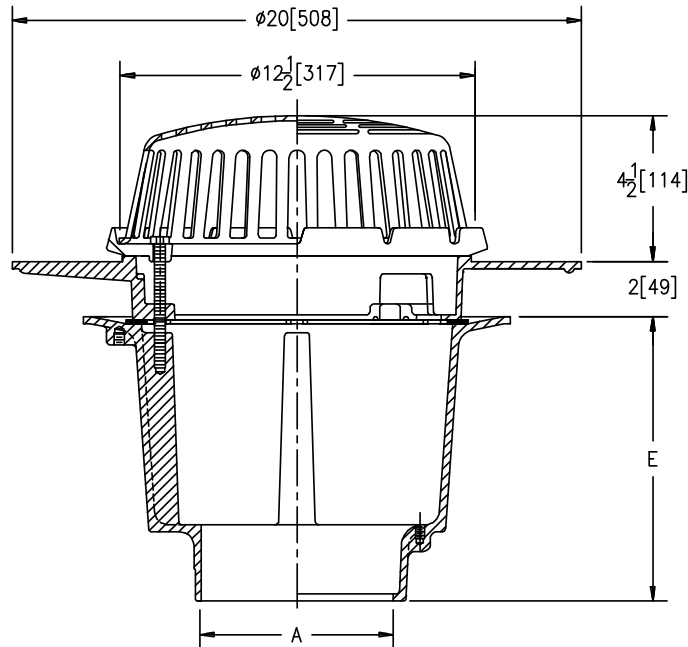
Z104-DX

15 [381] DIAMETER DEEP SUMP ROOF DRAIN WITH
DEX-O-TEX FLANGE

SPECIFICATION SHEET

TAG _____

Dimensional Data (inches and [mm]) are Subject to Manufacturing Tolerances and Change Without Notice



A- Pipe Size In. [mm]	Approx. Wt. Lbs. [kg]	Dome Open Area Sq. In. [cm ²]
3, 4 [76, 102]	46 [21]	103 [665]
6, 8 [152, 203]		

ENGINEERING SPECIFICATION: ZURN Z104-DX

15" [381mm] Diameter roof drain. Dura-Coated cast iron deep sump body, frame with combination membrane flashing clamp/gravel guard, Dex-O-Tex flange, and low silhouette Poly-Dome.

OPTIONS (Check/specify appropriate options)

PIPE SIZE

3, 4, 6, 8 [76, 102, 152, 203]
3, 4 [76, 102]

(Specify size/type) **OUTLET**

_____ NH No-Hub
_____ NL Neo-Loc

'E' BODY HT. DIM.

10 [254]
9-5/16 [237]

PREFIXES

- _____ Z D.C.C.I. Body with Poly-Dome*
- _____ ZA D.C.C.I. Body with High Aluminum Dome
- _____ ZC D.C.C.I. Body with Cast Iron Dome

SUFFIXES

- | | |
|--|---|
| _____ -AC Angular Underdeck Clamp | _____ -R Roof Sump Receiver (148 sq. In. [955cm ²] Open Area) |
| _____ -AR Acid Resistant Epoxy Coated Finish | _____ -SC Secondary Clamping Collar |
| _____ -AW 3/4[19] to 4[102] Adjustable Water Level Regulator | _____ -SS Stainless Steel Mesh Screen Over Dome |
| _____ -C Underdeck Clamp | _____ -VP Vandal Proof Secured Top |
| _____ -E Static Extension 1 [25] thru 4 [102] (Specify Ht) | _____ -W2 2 [51] Internal Water Dam |
| _____ -EA Adjustable Extension Assembly (2-1/8 [54] thru 3-1/2 [89]) | _____ -W3 3 [76] Internal Water Dam |
| _____ -FG Flush Grate | _____ -W4 4 [102] Internal Water Dam |
| _____ -G Galvanized Cast Iron | _____ -84 Stainless Steel Perforated Gravel Guard |
| _____ -HD 6-3/4 [171] High Aluminum Dome | _____ -85 Stainless Steel Perforated Extension |
| | _____ -89 2 [51] High External Water Dam |

* Regularly furnished unless otherwise specified.