

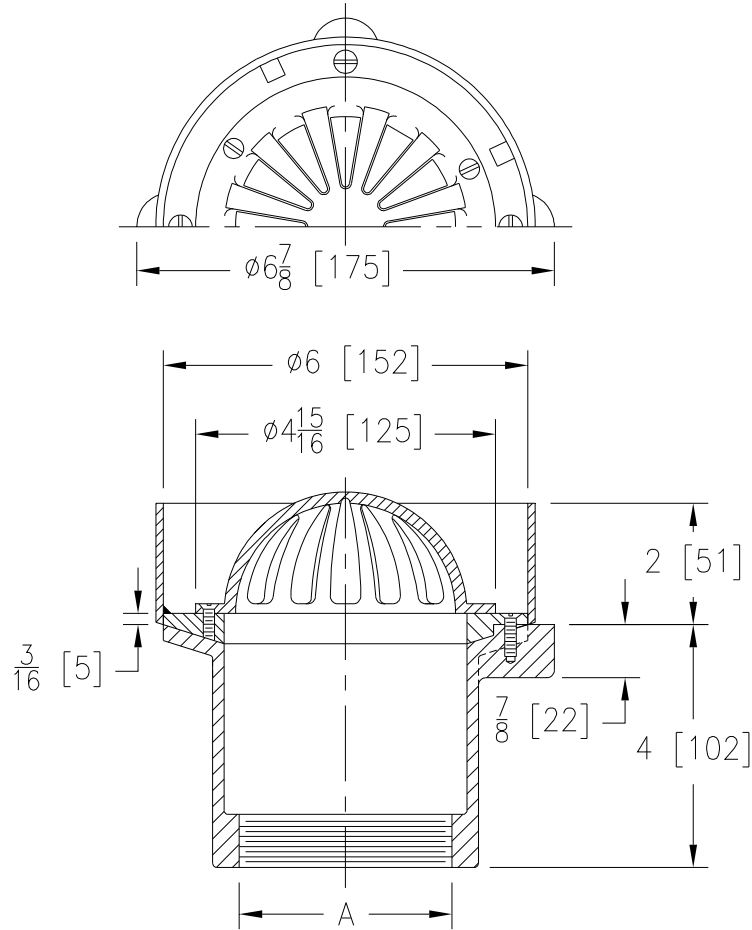


**Z181-86**  
**6 [152] DIAMETER CORNICE DRAIN**  
**BOTTOM OUTLET W/2 [51] HIGH WATER DAM**

SPECIFICATION SHEET

TAG \_\_\_\_\_

Dimensional Data (inches and [mm]) are Subject to Manufacturing Tolerances and Changes Without Notice



A- Pipe Size In.	Approx. Wt. Lbs. [kg]	Dome Open Area Sq. In. [cm <sup>2</sup> ]
3 [76]	7 [3]	12 [72]
4 [102]	8 [4]	

**ENGINEERING SPECIFICATION:** ZURNZRB181-86  
 6 [152] Diameter by 4 [102] High Cornice drain, Dura-Coated cast iron body, plain bronze dome and membrane flashing clamp with 2 [51] brass water dam.

**OPTIONS** (Check/specify appropriate options)

**PIPE SIZE**

3, 4 [76, 102]  
 3, 4 [76, 102]

(Specify size/type) **OUTLET**

\_\_\_ IP Threaded  
 \_\_\_ NH No-Hub (IP w/Z1040)

**PREFIXES**

\_\_\_ ZRB D.C.C.I. Body with Plain Bronze Dome\*  
 \_\_\_ ZB D.C.C.I. Body with Polished Bronze Dome  
 \_\_\_ ZN D.C.C.I. Body with Polished Nickel Bronze Dome

**SUFFIXES**

\_\_\_ -BS Bronze Mesh Screen Over Dome  
 \_\_\_ -C Underdeck Clamp  
 \_\_\_ -G Galvanized Cast Iron  
 \_\_\_ -R Roof Sump Receiver  
 \_\_\_ -SS Stainless Steel Mesh Screen Over Dome  
 \_\_\_ -VP Vandal-Proof Secured Top  
 \_\_\_ -8 8 [203] High Body

\*REGULARLY FURNISHED UNLESS OTHERWISE SPECIFIED

<b>REV.</b>	<b>DATE: 5/10/06</b>	<b>C.N. NO. 95097</b>
<b>DWG. NO. P-15277 PRODUCT NO. Z181-86</b>		