



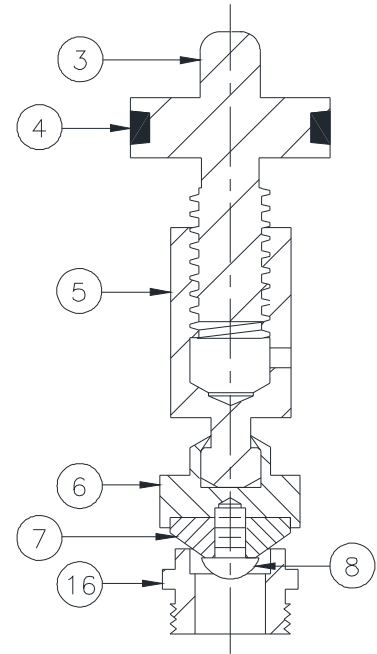
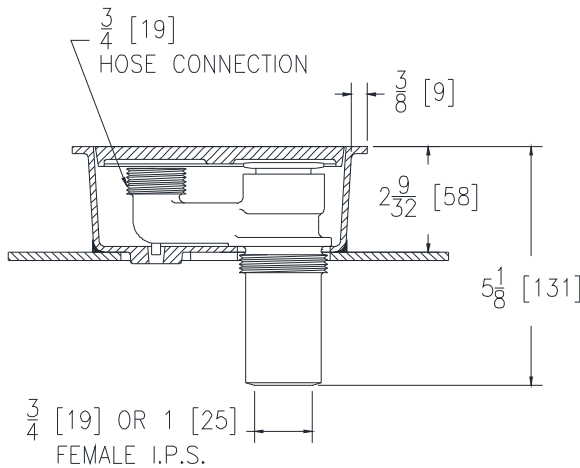
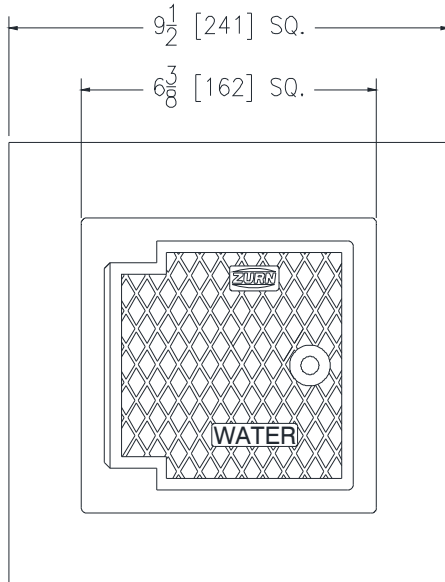
Z1375-85

GROUND HYDRANT ENCASED, MODERATE CLIMATE,
INTERIOR USE WITH ANCHOR FLANGE

SPECIFICATION SHEET

TAG _____

Dimensional Data (inches and [mm]) are Subject to Manufacturing Tolerances and Change Without Notice



INTERNAL PARTS

PARTS LIST

Item	Name	Quan.
3	Operating Screw	1
4	O-Ring	1
5	Operating Coupling	1
6	Washer Guide	1
7	Washer	1
8	Screw	1
16	Removable Seat	1

Approx. Wt. Lbs. [kg]
8 [4]

ENGINEERING SPECIFICATION: ZURN Z1375-85

Encased, moderate climate ground hydrant with anchor flange for flush with grade or finished floor installation. Complete with all bronze interior parts, replaceable bronze seat and seat washer, and non-turning operating coupling with free-floating compression closure valve. Dura-Coated Cast Iron box and scoriated hinged cover with "WATER" cast on cover.

OPTIONS (Check/specify appropriate options)

SUFFIXES

- ___ -DP14 1/4 [6] IP Drain Port in Box
- ___ -HD Heavy Duty Cover (Cast Iron and -NB only)
- ___ -NB Polished Nickel Bronze Face
- ___ -PB Polished Bronze Face
- ___ -RK Hydrant Parts Repair Kit
- ___ -VB 3/4 [19] Adapter Vacuum Breaker
(Requires deeper box to accommodate vacuum breaker.)

* Regularly furnished unless otherwise specified.