

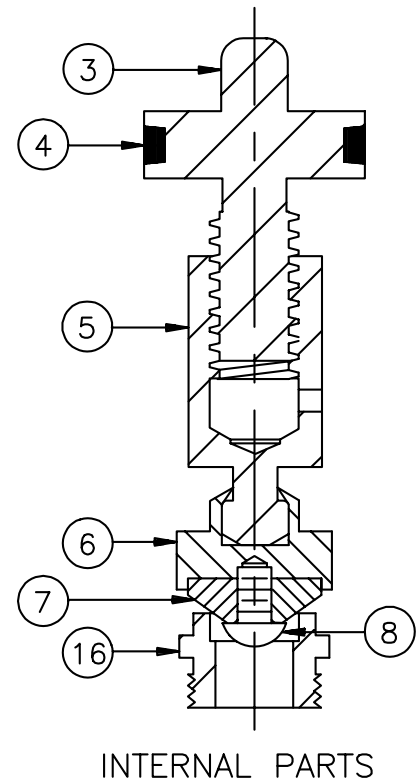
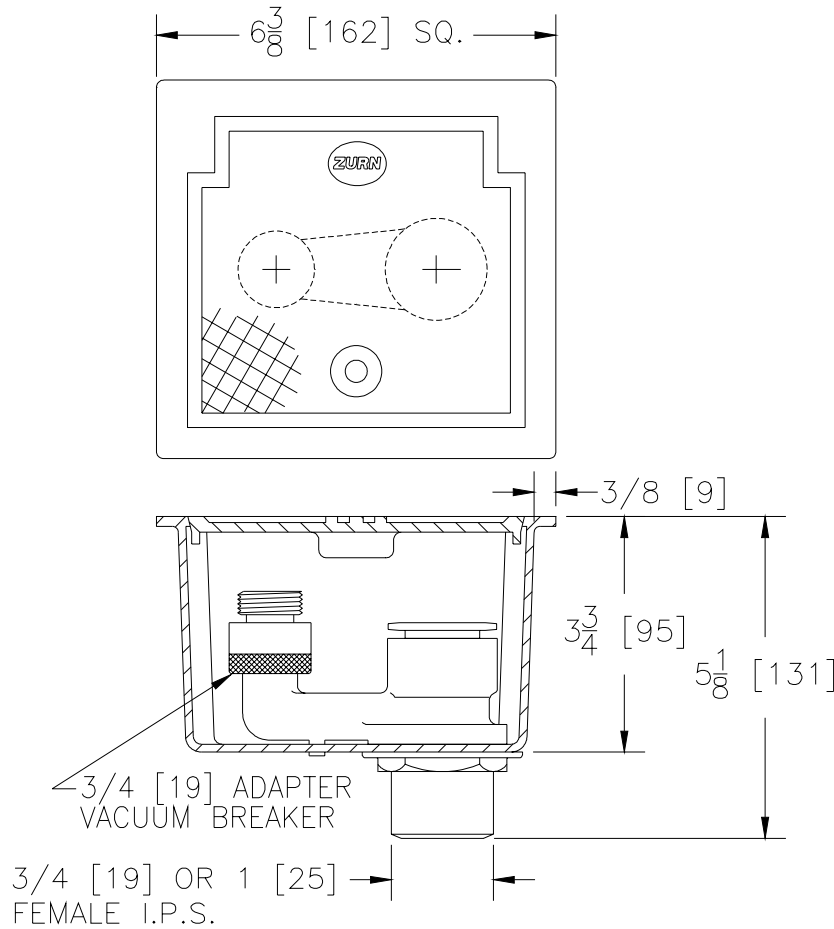


Z1375-VB
GROUND HYDRANT WITH ADAPTER
VACUUM BREAKER
 Encased, Moderate Climate, Interior Use

SPECIFICATION SHEET

TAG _____

Dimensional Data (inches and [mm]) are Subject to Manufacturing Tolerances and Change Without Notice



Approx. Wt.
Lbs. [kg]
8 [4]

ENGINEERING SPECIFICATION: ZURN Z1375-VB Encased, moderate climate ground hydrant, for flush with grade or finished floor installation. Complete with all bronze interior parts, replaceable bronze seat and seat washer, non-turning operating coupling with free-floating compression closure valve and 3/4 [19] adapter vacuum breaker, D.C.C.I. box and scoriated hinged cover.

OPTIONS (Check/specify appropriate options)

SUFFIXES

- ___ -DP14 1/4 [6] IP Drain Port in Box
- ___ -HD Heavy Duty Cover (Cast Iron and -NB only)
- ___ -NB Polished Nickel Bronze Face
- ___ -PB Polished Bronze Face
- ___ -RK Hydrant Parts Repair Kit

PARTS LIST

Item	Name	Quan.
3	Operating Screw	1
4	O-Ring	1
5	Operating Coupling	1
6	Washer Guide	1
7	Washer	1
8	Screw	1
16	Removable Seat	1

REV. A DATE: 8/29/03 C.N. NO. 91232

DWG. NO. 58097 PRODUCT NO. Z1375-VB