



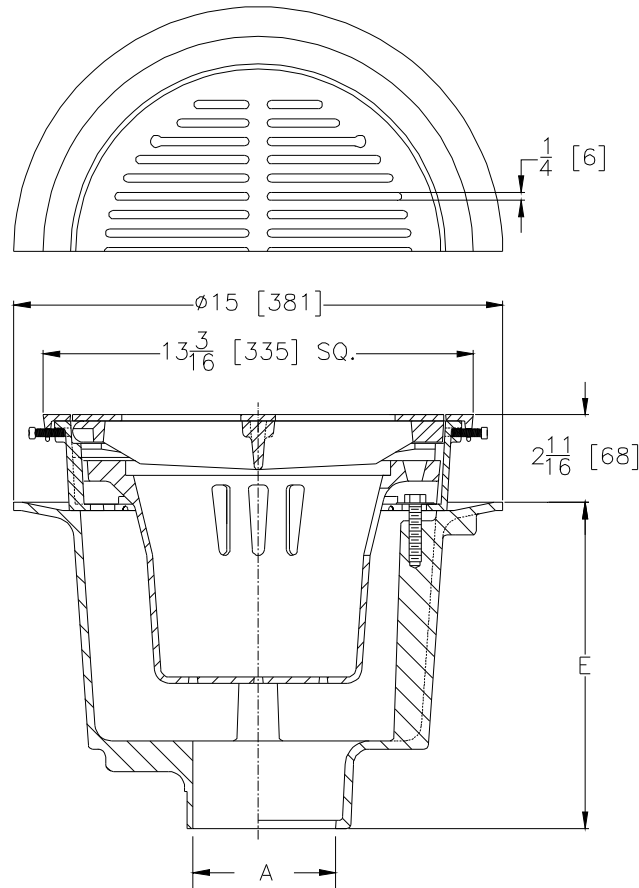
Z539-93

12 [305] HEAVY-DUTY DRAIN W/ DEEP SUMP AND STAINLESS STEEL VENEER

SPECIFICATION SHEET

TAG _____

Dimensional Data (inches and [mm]) are Subject to Manufacturing Tolerances and Change Without Notice



A- Pipe Size In. [mm]	Approx. Wt. Lbs. [kg]	Grate Open Area Sq. In. [Sq. cm]
3,4,5,6 [76,102,127,152]	68 [31]	40 [258]
8 [203]		

ENGINEERING SPECIFICATION: ZURN Z539-93 12" [350mm] Square top drain. Dura-Coated cast iron deep sump body with bottom outlet, seepage pan and combination membrane flashing clamp and frame for sediment bucket and heel-proof slotted grate with stainless steel veneer.

OPTIONS (Check/specify appropriate options)

PIPE SIZE

3,4,5,6 [76,102,127,152]
 3,4,6 [76,102,152]
 3,4,5,6,8 [76,102,127,152,203]

(Specify size/type) OUTLET

_____ IC Inside Caulk
 _____ IG Inside Caulk w/Sealtrol Gskt.
 _____ NH No-Hub

'E' BODY HT. DIM.

10 [254]
 10 [254]
 10 [254]

PREFIXES

___ ZS- D.C.C.I. Body with Polished Stainless Steel Grate

SUFFIXES

___ -DG Duresist Grate
 ___ -G Galvanized Cast Iron
 ___ -VP Vandal Proof Secured Top
 ___ -H Hinged Grate
 ___ -HL Hinged Locking Grate

* Regularly furnished unless otherwise specified.