



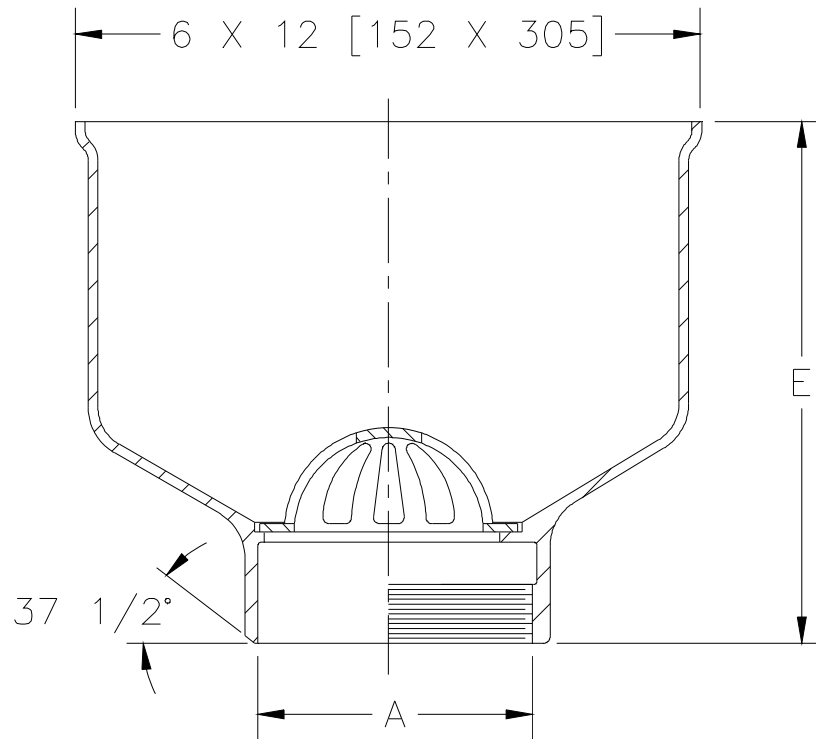
# Z1721-DB

6 X 12 [152 X 305] OPEN SIGHT DRIP DRAIN W/  
STAINLESS STEEL DOME STRAINER

SPECIFICATION SHEET

TAG \_\_\_\_\_

Dimensional Data (inches and [ mm ]) are Subject to Manufacturing Tolerances and Change Without Notice



A - Pipe Size In. [mm]	Approx. Wt. Lbs. [kg]
3,4,6 [76,102,152]	30 [14]

### ENGINEERING SPECIFICATION: ZURN Z1721-DB

6" x 12" [152mm x 305mm] Open sight drip drain with Type 304 (CF8) stainless steel body and integral stainless steel dome bottom strainer, all with plain finish.

### OPTIONS (Check/specify appropriate options)

#### PIPE SIZE

3,4,6 [76,102,152]

#### (Specify size/type) OUTLET

\_\_\_ BW Butt-Weld  
(Specify Schedule 10 or 40)  
\_\_\_ IP Threaded

#### 'E' BODY HT. DIM.

10 [254]

10 [254]

#### PREFIXES

\_\_\_ Z Type 304 (CF8) Stainless Steel Body\*  
\_\_\_ ZM Type 316 (CF8M) Stainless Steel Body

#### SUFFIXES

\_\_\_ -FG Flush Gate

\* Regularly furnished unless otherwise specified.

**Zurn Industries, LLC | Specification Drainage Operation**  
1801 Pittsburgh Avenue, Erie, PA U.S.A. 16502 · Ph. 855-663-9876, Fax 814-454-7929  
In Canada | **Zurn Industries Limited**  
3544 Nashua Drive, Mississauga, Ontario L4V 1L2 · Ph. 905-405-8272, Fax 905-405-1292  
[www.zurn.com](http://www.zurn.com)

Rev. A  
Date: 10/19/17  
C.N. No. 139004  
Prod. | Dwg. No. Z1721-DB