



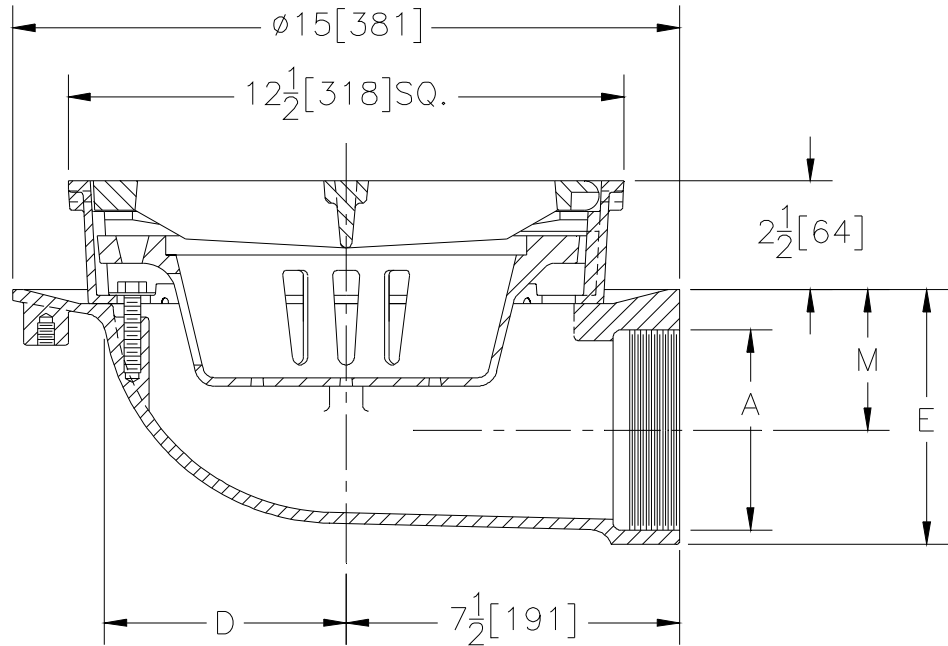
Z505-T-Y-90

12-1/2 [318] SQUARE TOP HEAVY DUTY DRAIN W/
SEDIMENT BUCKET AND SIDE OUTLET

SPECIFICATION SHEET

TAG _____

Dimensional Data (inches and [mm]) are Subject to Manufacturing Tolerances and Change Without Notice



Dimensions in In [mm]			Approx. Wt. Lbs.[kg]	Grate Open Area Sq. In.[cm ²]
A Pipe Size	D	M		
2 [51]	5-1/2 [140]	4-1/4 [108]	40 [18]	42 [271]
3 [76]		3-11/16 [94]	41 [19]	
4 [102]		3-3/16 [80]	42 [19]	
6 [152]		4-1/4 [108]	44 [20]	

ENGINEERING SPECIFICATION: ZURN Z505-T-Y-90
12-1/2" [318mm] Square top heavy duty drain. Dura-Coated cast iron body with side outlet, seepage pan and combination membrane flashing clamp and frame for heavy duty deep flange slotted grate with suspended sediment bucket.

OPTIONS (Check/specify appropriate options)

PIPE SIZE

2,3,4 [51,76,102]
6 [152]

(Specify size/type) **OUTLET**

___ IP Threaded
___ IP Threaded

'E' BODY HT. DIM.

5-3/4 [146]
7-7/8 [200]

PREFIXES

- ___ Z D.C.C.I. Body and Grate*
- ___ ZB D.C.C.I. Body with Polished Grate (Add 3/16 [5] to 2 [51] Dim.& add 3/4 [19] to 12-1/4 [311] Dim.)
- ___ ZN D.C.C.I. Body with Polished Nickel Bronze Grate (Add 3/16 [5] to 2 [51] Dim.& add 3/4 [19] to 12-1/4 [311] Dim.)

SUFFIXES

- ___ -AR Acid Resistant Epoxy Coated Cast Iron
- ___ -DG Duresist Grate
- ___ -F Extension Frame (Specify Total Height Required)
- ___ -G Galvanized Cast Iron
- ___ -TS Top Secured with Slotted Screws
- ___ -VP Vandal Proof Secured Top

* Regularly furnished unless otherwise specified.