



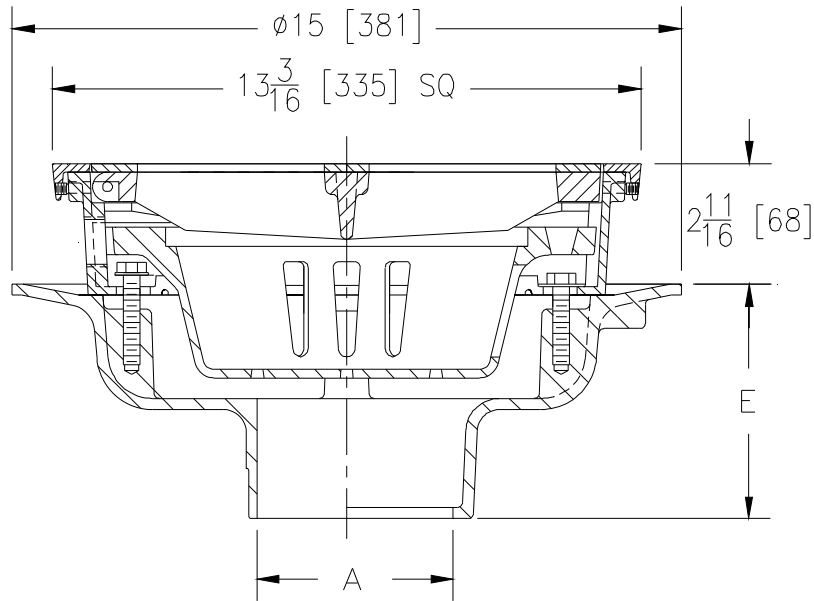
Z610-131

13-3/16 [355] SQUARE TOP HEAVY-DUTY DRAIN WITH STAINLESS STEEL VENEER

SPECIFICATION SHEET

TAG _____

Dimensional Data (inches and [mm]) are Subject to Manufacturing Tolerances and Change Without Notice



A Pipe Size In.	Approx. Wt. Lbs. [kg]	Grate Open Area Sq. In. [cm ²]
2-3-4-5-6 [51-76-102-127-152]	54 [24]	36 [232]
8-10 [203-250]	56 [25]	

ENGINEERING SPECIFICATION: ZURN Z610-131

13-3/16 [355] Square top drain, Dura-Coated cast iron body with bottom outlet, seepage pan and combination membrane flashing clamp and frame for heavy duty cast iron slotted grate, veneer frame, stainless steel veneer grate, and suspended sediment bucket.

OPTIONS (Check/specify appropriate options)

PIPE SIZE

- 2-3-4-5-6-8-10 [51-76-102-127-152-203-250]
- 2-3-4-6 [51-76-102-152]
- 2-3-4-5-6-8-10 [51-76-102-127-152-203-250]
- 2-3-4-5-6-8-10 [51-76-102-127-152-203-250]
- 2-3-4 [51-76-102]

(Specify size/type) **OUTLET**

- ___ IC Inside Caulk
- ___ IG Inside Gasket
- ___ IP Threaded
- ___ NH No-Hub
- ___ NL Neo-Loc

'E' BODY HT. DIM.

- 5-1/4 [133]
- 5-1/4 [133]
- 3-3/4 [95]
- 5-1/4 [133]
- 4-5/8 [117]

PREFIXES

- ___ ZS D.C.C.I Body w/ Stainless Steel Top*

SUFFIXES

- | | |
|--|---|
| <ul style="list-style-type: none"> ___ -AR Acid Resisting Epoxy Coated Cast Iron ___ -DG Duresist Grate ___ -DX Dex-O-tex Flange ___ -F 2 [51] High Extension ___ -G Galvanized Cast Iron ___ -H Hinged Grate ___ -HL Hinged Locking Grate ___ -LY (Less) Bucket ___ -P Trap Primer Connection ___ -S Secondary Strainer ___ -SA Stabilizer Assembly (Z1036) ___ -SS Stainless Steel Mesh Liner for Bucket | <ul style="list-style-type: none"> ___ -TC Neo-Loc Test Cap Gasket
(2-4 [52z-102] NL Bottom Outlet Only) ___ -TS Top Secured with Slotted Screws ___ -V Backwater Valve (See Z-1099) ___ -VP Vandal Proof Secured Top ___ -YA Aluminum Sediment Bucket ___ -YC Cast Iron Sediment Bucket ___ -90 90° Threaded Side Outlet Body |
|--|---|

* Regularly furnished unless otherwise specified.