



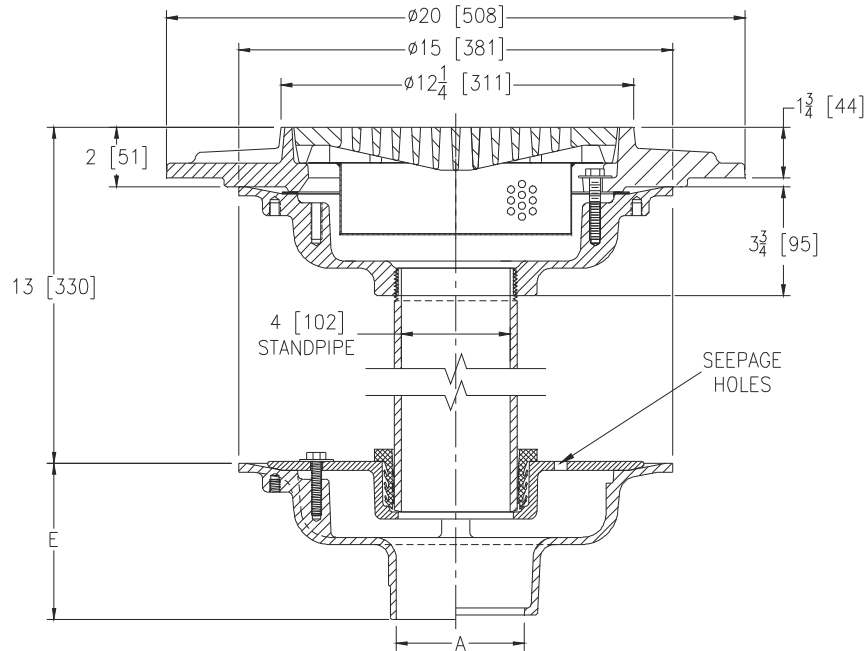
Z624-114

12 [305] DIAMETER PARKING DECK ISOLATION DRAIN
W/ 4 [102] STANDPIPE

SPECIFICATION SHEET

TAG _____

Dimensional Data (inches and [mm]) are Subject to Manufacturing Tolerances and Change Without Notice



A Pipe Size In [mm]	Approx. Wt. Lbs. [kg]	Grate Open Area Sq. In. [cm ²]
2, 3, 4 [51, 76, 102]	118 [54]	30 [194]
5, 6 [127, 152]		

ENGINEERING SPECIFICATION: ZURN Z624-114

12" [305mm] Diameter Parking Deck Drain, Dura-Coated cast iron body with bottom outlet, heavy duty gasketed drain support flange, with heavy-duty slotted grate & sediment bucket. Isolation deck drain features cast iron body and clamping collar with seepage holes, 4" [102mm] cast iron stand pipe, and neoprene flex gasket.

OPTIONS (Check/specify appropriate options)

PIPE SIZE

- 2,3,4,5,6 [51,76,102,127,152]
- 2,3,4,6 [51,76,102,152]
- 2,3,4,5,6 [51,76,102,127,152]
- 2,3,4,5,6 [51,76,102,127,152]
- 2,3,4 [51,76,102]

(Specify size/type) OUTLET

- ___ IC Inside Caulk
- ___ IG Inside Gasket
- ___ IP Threaded
- ___ NH No-Hub
- ___ NL Neo-Loc

'E' BODY HT. DIM.

- 5-1/4 [133]
- 5-1/4 [133]
- 3-3/4 [95]
- 5-1/4 [133]
- 4-5/8 [117]

PREFIXES

- ___ Z D.C.C.I. Body and Top*
- ___ ZB D.C.C.I Body w/ Polished Bronze Top (Add 3/16 [5] to 2 [51] Dim and 3/4 [19] to 12-1/4 [311] Dim)
- ___ ZN D.C.C.I Body w/ Polished Nickel Bronze Top (Add 3/16 [5] to 2 [51] Dim and 3/4 [19] to 12-1/4 [311] Dim)

SUFFIXES

- ___ -C Underdeck Clamp (Lower Body)
- ___ -DP Top-Set® Deck Plate (Lower Body)
- ___ -G Galvanized Cast Iron
- ___ -HP Heel-Proof Grate
- ___ -R Sump Receiver (Lower Body)
- ___ -SA Stabilizer Assembly
- ___ -SD Longer Standpipe (Specify Height Required)
- ___ -TS Top Secured with Slotted Screws
- ___ -VP Vandal-Proof Secured Top

* Regularly furnished unless otherwise specified.