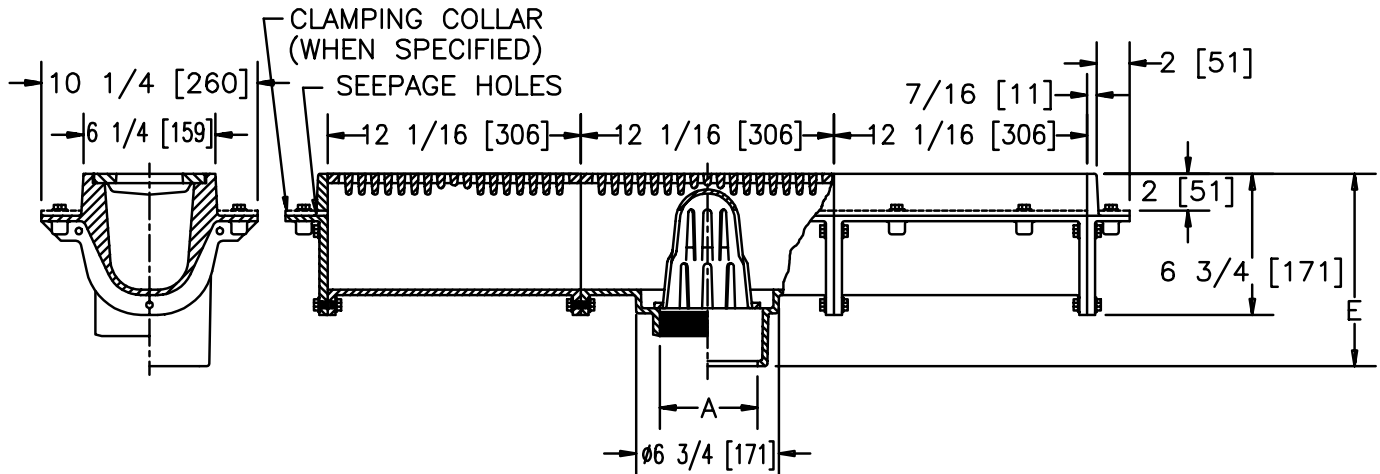




Z-664-82

6" [152] WIDE MODULAR TRENCH DRAIN EXTRA HEAVY DUTY

Dimensional Data (inches and [mm]) are Subject to Manufacturing Tolerances and Change Without Notice



A- Pipe Size In.	Approx. Wt. Lbs. [kg]	Grate Open Area Sq. In. [cm ²]
2-3-4 [50-75-100]	35 [16]	15 [97]

ENGINEERING SPECIFICATION: ZURN Z-664-82 6 [152] Wide Top modular trench drain. Dura-Coated cast iron drain section with bottom outlet and secondary dome strainer. Both 12 [305] long drain module and 12 [305] long extension module are complete with integral seepage pan and loose extra heavy duty slotted heelproof grate.

OPTIONS (Check/specify appropriate options)

PIPE SIZE

(Specify size/type) **OUTLET**

'E' BODY HT. DIM.

2 thru 4 [50 thru 150]	_____ IC	Inside Caulk	9 1/8 [232]
2 thru 4 [50 thru 150]	_____ IG	Inside Caulk w/Sealtrol Gskt.	9 1/8 [232]
2 thru 4 [50 thru 150]	_____ IP	Threaded	7 5/8 [194]
2 thru 4 [50 thru 150]	_____ NH	No-Hub	
2 thru 4 [50 thru 150]	_____ NL	Neo-Loc	8 3/8 [213]

PREFIXES

- _____ Z- D.C.C.I. Body and Grate*
- _____ ZB- D.C.C.I. Body w/Polished Bronze Top (Add 1/8 [3] to 'E' and 2 [51] Dim.)
- _____ ZN- D.C.C.I. Body w/Polished Nickel Bronze Top (Add 1/8 [3] to 'E' and 2 [51] Dim.)
- _____ ZS- D.C.C.I. Body w/Stainless Steel Frame and Grate

SUFFIXES

- _____ -AR Acid Resisting Epoxy Coated Cast Iron
- _____ -C Clamp Collar or Underdeck Clamp
- _____ -DG Duresist Grate
- _____ -ES Extension Section (See Z-664, Z-665)
- _____ -G Galvanized Cast Iron
- _____ -M Side Outlet Adapter Via End Plate
- _____ -TS Top Secured With Slotted Screws
- _____ -V Backwater Valve
- _____ -VP Vandal Proof Secured Top
- _____ -Y Sediment Bucket

REV. DATE: 1/5/96 C.N. NO. 73811

DWG. NO. P-14278 PRODUCT NO. Z-664-82

*REGULARLY FURNISHED UNLESS OTHERWISE SPECIFIED