

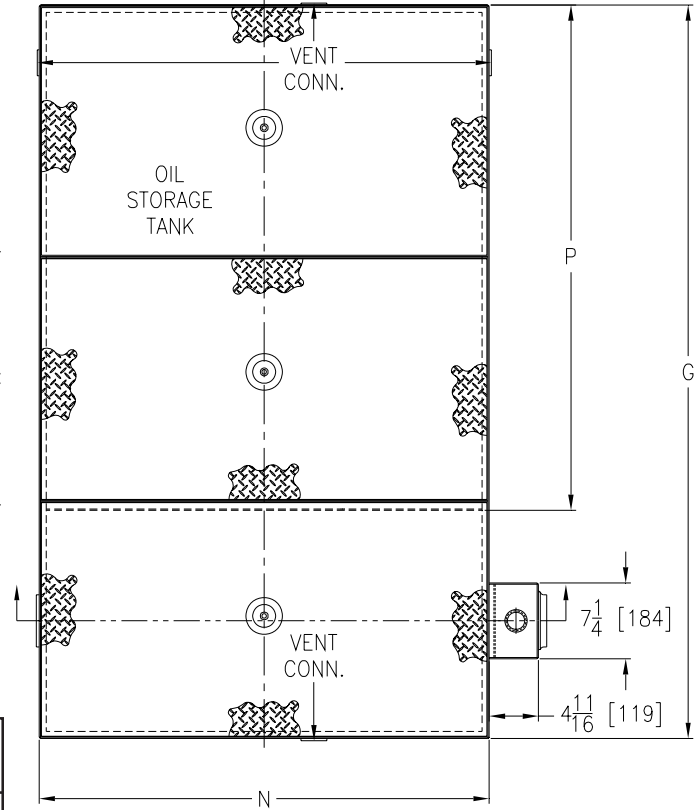
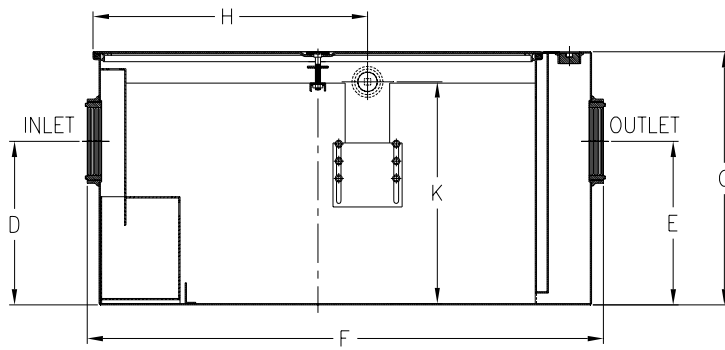


Z1186-ST-85 OIL INTERCEPTOR W/ INTEGRAL STORAGE TANK AND 6 [152] INLET/OUTLET SIZE

SPECIFICATION SHEET

TAG _____

Dimensional Data (inches and [mm]) are Subject to Manufacturing Tolerances and Change Without Notice



SIZE	Inlet/Outlet Size	Flow Rate G.P.M.	Water Capacity Gal.[L]	Approx. Wt. Lbs.[kg]	P
800	6 [152]	50 [189]	30 [114]	529 [240]	48 1/4 [1225]

Dimensions in inches [mm]								Oil Storage Tank Capacity Gal.[L]	No. of Covers
SIZE	C	D/E	F	G	H	K	N		
800	24 1/4 [616]	15 11/16 [398]	49 7/16 [1254]	70 1/8 [1781]	26 1/4 [667]	21 1/4 [540]	43 [1092]	125 [473]	3

ENGINEERING SPECIFICATION: ZURN Z1186-ST-85 Acid Resistant Coated interior and exterior fabricated steel oil interceptor, with bronze cleanout plug and visible double wall trap seal, removable combination pressure equalizing/flow diffusing baffle and sediment bucket, oil drawoff, vent connections, secured gasketed non-skid cover, complete with flow control fitting and left hand integral storage tank. Regularly furnished with inlet and outlet in high position. Note: location of outlet from bottom of interceptor cannot be changed.

OPTIONS (Check/specify appropriate options)

PREFIXES

_____ **Z** Acid Resistant Coated Fabricated Steel*

SUFFIXES

- _____ **-E** Acid Resistant Coated interior and exterior fabricated steel section. (Specify 'C' Dim. required) for recessed installation
- _____ **-HD** Heavy duty traffic cover rated at 10,000 lbs. maximum safe live load.
- _____ **-K** Anchor flange 1 3/4 [44] down from top and 2 [51] wide. A 3 [76] minimum extension height is required when anchor flange (-K) option is specified. (Specify 'C' Dim. height required.)
- _____ **-KC** Anchor flange 1 3/4 [44] down from top and 2 [51] wide with clamp collar.
- _____ **-STR** Storage tank on right hand side when facing the inlet.

*REGULARLY FURNISHED UNLESS OTHERWISE SPECIFIED

REV.	DATE: 10/26/06	C.N. NO. 95783
DWG NO. P-15347	PRODUCT NO. Z1186-ST-85	

ZURN INDUSTRIES, INC. ♦ SPECIFICATION DRAINAGE OPERATION ♦ 1801 Pittsburgh Ave. ♦ Erie, PA 16514

Phone: 814/455-0921 ♦ Fax: 814/454-7929 ♦ World Wide Web: www.zurn.com

In Canada: ZURN INDUSTRIES LIMITED ♦ 3544 Nashua Drive ♦ Mississauga, Ontario L4V1L2 ♦ Phone: 905/405-8272 Fax: 905/405-1292