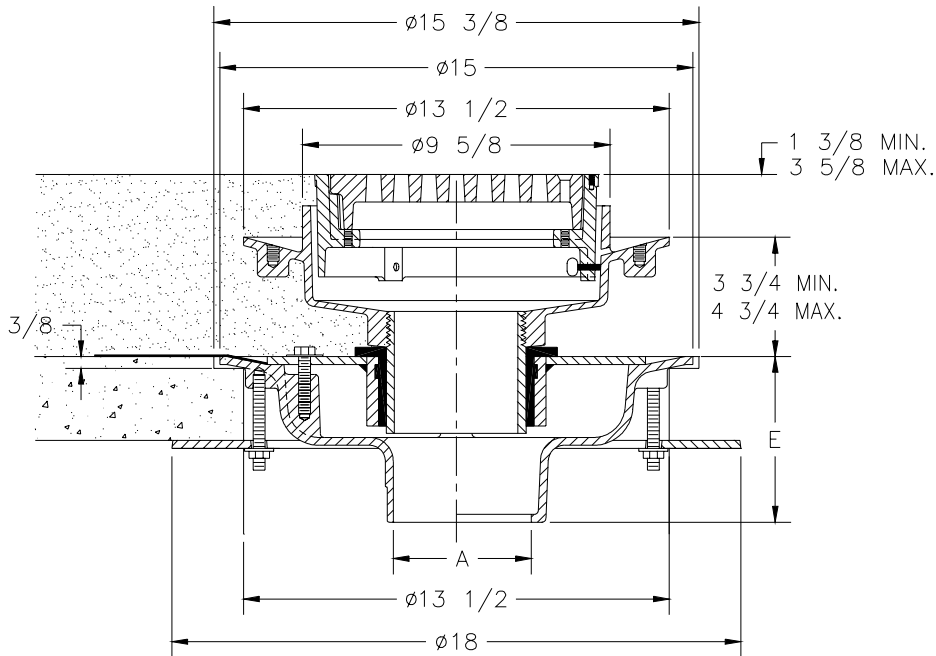




Z-627-75 ISOLATION DECK ADJUSTABLE HEAVY DUTY DRAIN

TAG _____

Dimensional Data (inches and [mm]) are Subject to Manufacturing Tolerances and Change Without Notice



| A- Pipe Size In. | Approx. Wt. Lbs. | Grate Open Area Sq. In. |
|------------------|------------------|-------------------------|
| 2-3-4 | 65 | 18 |
| 5-6 | | |

ENGINEERING SPECIFICATION: ZURN Z-627-75 Isolation deck adjustable drain, Dura-Coated cast iron upper and lower bodies, clamp collar, neoprene flex gasket, isolation nipple, 10" diameter round heavy duty grate and underdeck clamp on lower body. (Showing installation)

OPTIONS (Check/specify appropriate options)

OUTLET (Specify type)

- _____ **IC** Inside Caulk
- _____ **IG** Inside Caulk w/Sealtrol Gskt.
- _____ **IP** Threaded
- _____ **NH** No-Hub
- _____ **NL** Neo-Loc

PIPE SIZE (Specify size)

- _____ 2" thru 6"
- _____ 2",3",4",6"
- _____ 2" thru 6"
- _____ 2" thru 6"
- _____ 2",3",4"

'E' BODY HT. DIMENSION

- 5-1/4"
- 5-1/4"
- 3-3/4"
- 5-1/4"
- 4-5/8"

PREFIXES

- _____ **Z-** D.C.C.I. Body and Grate*
- _____ **ZB-** D.C.C.I. Body with Polished Bronze Grate (Add 3/16" to 2" Dim & 5/8" to 9" Dim.)
- _____ **ZN-** D.C.C.I. Body with Polished Nickel Bronze Grate (Add 3/16" to 2" Dim & 5/8" to 9" Dim.)

SUFFIXES

- _____ **-DG** Duresist Grate
- _____ **-F** Extension
- _____ **-G** Galvanized Cast Iron
- _____ **-R** Sump Receiver (Lower Body)
- _____ **-SC** Secondary Clamp Collar
- _____ **VP** Vandal Proof Secured Top
- _____ **-Y** Sediment Bucket

| | | |
|----------------------------------------------|----------------------|-----------------------|
| REV. A | DATE: 6/12/96 | C.N. NO. 75192 |
| DWG. NO. P-13983 PRODUCT NO. Z-627-75 | | |

*REGULARLY FURNISHED UNLESS OTHERWISE SPECIFIED