

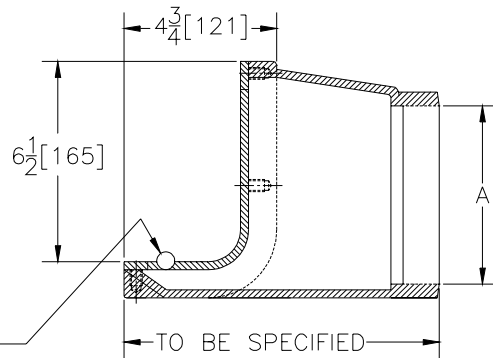
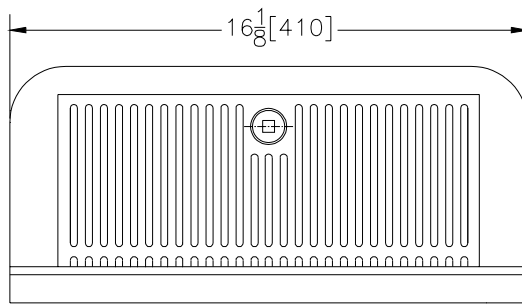
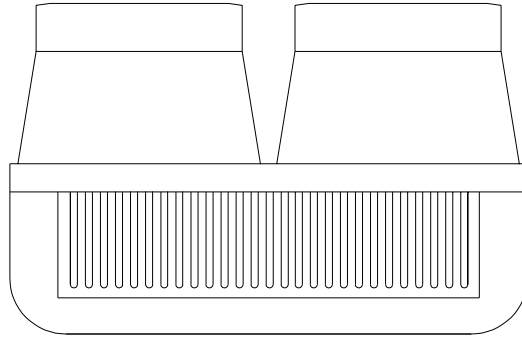


Z-189-81 SCUPPER DRAIN WITH DOUBLE OUTLET

SPECIFICATION SHEET

TAG _____

Dimensional Data (inches and [mm]) are Subject to Manufacturing Tolerances and Change Without Notice



A Pipe Size In.	Approx. Wt. Lbs. [kg]	Grate Open Area Sq. In. [cm ²]
5 [127]	25 [11]	26 [168]

ENGINEERING SPECIFICATION: ZURN Z-189-81 Scupper drain, Dura-Coated cast iron body with straight double outlet and flush type strainer with locking device combination frame and membrane flashing clamp and (1) one brass closure plug.

OPTIONS (Check/specify appropriate options)

OUTLET (Specify type)

_____ IP Threaded

PIPE SIZE (Specify size)

_____ 5 [127]

PREFIXES

- _____ Z- D.C.C.I. Body with Grate*
- _____ ZB- D.C.C.I. Body with Polished Grate
- _____ ZN- D.C.C.I. Body with Polished Nickel Bronze Grate

SUFFIXES

- _____ -AR Acid Resisting Epoxy Coated Finish
- _____ -G Galvanized Cast Iron

REV.	DATE: 6/12/98	C.N. NO. 80683
DWG. NO. P-14635 PRODUCT NO. Z-189-81		

*REGULARLY FURNISHED UNLESS OTHERWISE SPECIFIED