

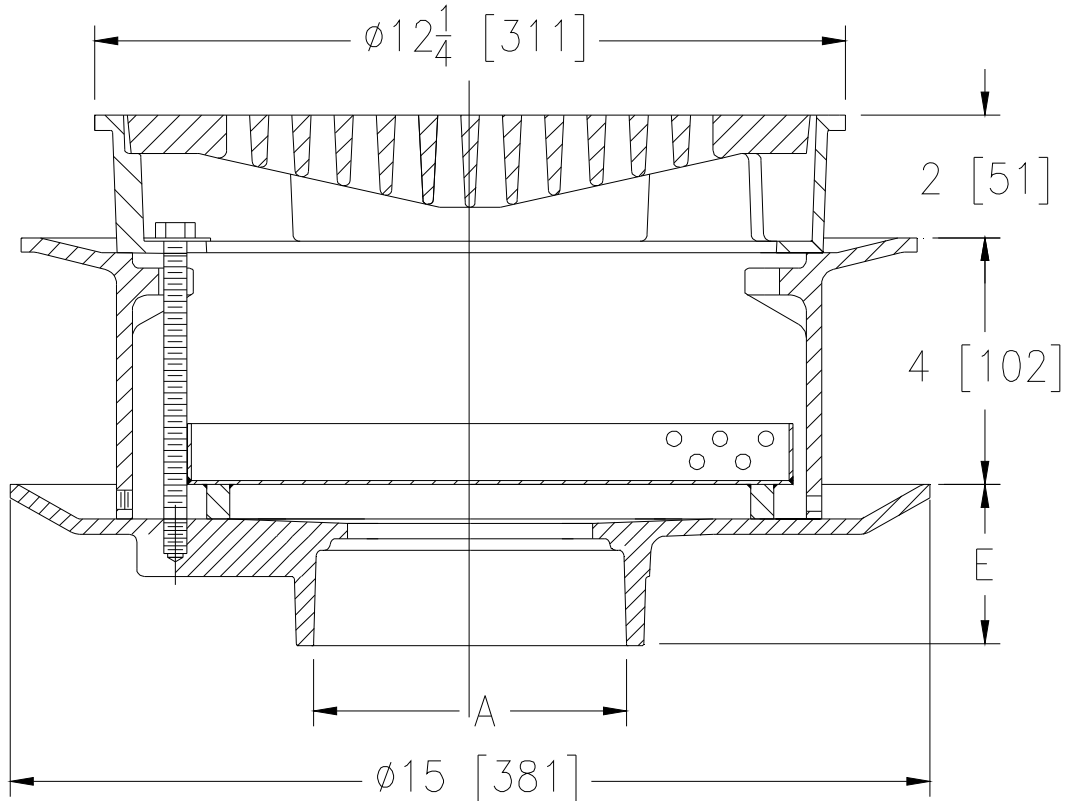


Z504-79

SPECIFICATION SHEET

12 [305] HEAVY-DUTY DRAIN, 4 [102] EXTENSION FRAME, TAG _____ VANDAL PROOF GRATE, AND SEDIMENT BUCKET

Dimensional Data (inches and [mm]) are Subject to Manufacturing Tolerances and Change Without Notice



A- Pipe Size In.	Approx. Wt. Lbs. [kg]	Grate Open Area Sq. In. [cm ²]
3-4 [76-102]	32 [15]	30 [194]

ENGINEERING SPECIFICATION: ZURN Z504-79

12 [305] Diameter top drain-Dura-Coated cast iron body with bottom outlet, seepage pan and combination membrane flashing clamp and 4 [102] extension frame for Vandal Proof Grate, and Sediment bucket.

OPTIONS (Check/specify appropriate options)

PIPE SIZE
3-4 [76-102]

(Specify size/type) **OUTLET**
____ NL Neo-Loc

'E' BODY HT. DIM.
2-5/8 [67]

PREFIXES

____ Z D.C.C.I. Body and Top*

SUFFIXES

- ____ -AR Acid Resisting Epoxy Coated Cast Iron
- ____ -G Galvanized Cast Iron
- ____ -P Trap Primer Connection
- ____ -TC Neo-Loc Test Cap Gasket
(3 - 4 [76 - 102] NL Bottom Outlet Only)
- ____ -V Backwater Valve (See Z1099)

*REGULARLY FURNISHED UNLESS OTHERWISE SPECIFIED

REV. DATE: 08/11/11 C.N. NO. 121889

DWG. NO. 307115 PRODUCT NO. Z504-79

ZURN INDUSTRIES, LLC. ♦ SPECIFICATION DRAINAGE OPERATION ♦ 1801 Pittsburgh Ave. ♦ Erie, PA 16514

Phone: 814/455-0921 ♦ Fax: 814/454-7929 ♦ World Wide Web: www.zurn.com

In Canada: ZURN INDUSTRIES LIMITED ♦ 3544 Nashua Drive ♦ Mississauga, Ontario L4V1L2 ♦ Phone: 905/405-8272 Fax: 905/405-1292