



Z886-HDS-RJC

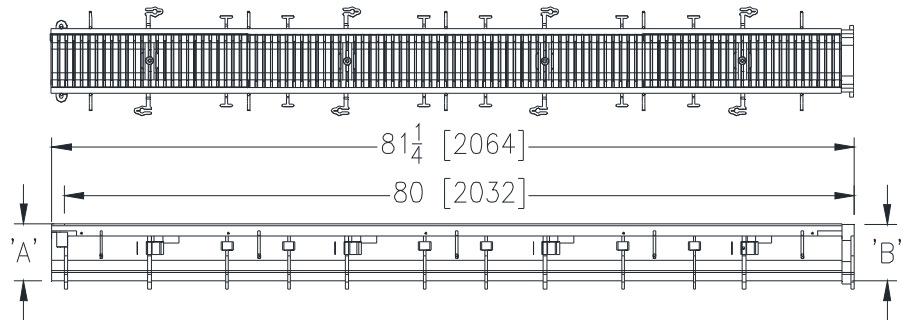
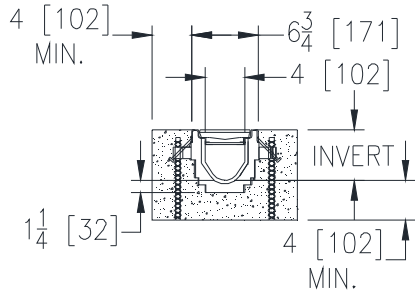
6-3/4[171]WIDE REVEAL TRENCH DRAIN SYSTEM W/ STAINLESS STEEL HEAVY-DUTY FRAME ASSEMBLY

SPECIFICATION SHEET

TAG _____

Dimensional Data (inches and [mm]) are Subject to Manufacturing Tolerances and Change Without Notice

SPECIFYING ENGINEER IS RESPONSIBLE FOR
CONCRETE ENCASEMENT AND REINFORCING
BASED UPON APPLICATION AND LOCAL CODES



NOTE: + Actual Channel length is 81 1/4 [2064] to allow for overlap.

ENGINEERING SPECIFICATION: Zurn Z886-HDS-RJC

Channels are 80" [2032mm] long, 6-3/4" [171mm] wide reveal and have a 4" [102mm] throat. Modular channel sections are made of 0% water absorbent High Density Polyethylene (HDPE). Channels have a positive mechanical connection between channel sections that will not separate during the installation and mechanically lock into the concrete surround every 10" [254mm]. Channels weigh less than 2.31 lbs. [1.05kg] per linear foot, have a smooth, 1-1/2" [38mm] radiused self cleaning bottom with a Manning's coefficient of .009 and .75% or neutral 0% built in slope. Channels have rebar clips standard to secure trench in its final location. Channels provided with RJC grates that lock down to frame. Iron Age Regular Joe Ductile Iron heel-proof grate is 5-3/8" [137mm] wide and 20" [508mm] long, weighing 9 lbs per linear foot [13.4 kg/m] and is made from 80% recycled content. The grate has an open area of 9 sq. inches per linear foot [191 cm²/m]. Grate conforms to DIN rating of C, ANSI rating of Heavy-Duty, ADA compliant* and H-20 load rating. Grate product ID number is RJZ5-20132HP. *Elongated openings shall be placed so that the long dimension is perpendicular to the dominant direction of travel. The .105" [2.66mm] thick Heavy-Duty Stainless Steel Frame Assembly conforms to ASTM specification A-240 (type 304), with 10 - 4" [102mm] long concrete anchors per 80" [2032mm]. Grate lockdown bars are to be integral to the frame. Frames produced in the U.S.A.

PREFIX OPTIONS (Check/specify appropriate options)

- Z Six-foot, Eight-inch High Density Polyethylene (HDPE)*

SUFFIX OPTIONS (Check/specify appropriate options)

Outlet Adapters Add/Each

- E1 Closed End Cap
- E2 2 [51] No-Hub End Outlet
- E3 3 [76] No-Hub End Outlet
- E4 4 [102] No-Hub End Outlet
- E6 6 [152] No-Hub End Outlet
- U2 2 [51] No-Hub Bottom Outlet
- U3 3 [76] No-Hub Bottom Outlet
- U4 4 [102] No-Hub Bottom Outlet
- U6 6 [152] No-Hub Bottom Outlet

Frame Options

- SW Sidewall Extension - 9 [229] High
- SW2 Sidewall Extension - 18 [457] High

Miscellaneous Options

- VP Vandal-Proof Lockdown
- JC Joint Connector

* Regularly furnished unless otherwise specified.

Trench No.	'A' Shallow Inv.	'B' Deep Inv.	Flow		
			(cfs)	(gpm)	(lps)
8601	3.50 [89]	4.10 [104]	0.21	93	6
8602	4.10 [104]	4.70 [119]	0.27	122	8
8603	4.70 [119]	5.30 [135]	0.34	152	10
8603N	5.30 [135]	5.30 [135]	-	-	-
8604	5.30 [135]	5.90 [150]	0.41	183	12
8605	5.90 [150]	6.50 [165]	0.48	214	13
8606	6.50 [165]	7.10 [180]	0.55	245	15
8606N	7.10 [180]	7.10 [180]	-	-	-
8607	7.10 [180]	7.70 [196]	0.62	276	17
8608	7.70 [196]	8.30 [211]	0.69	308	19
8609	8.30 [211]	8.90 [226]	0.76	339	21
8610	8.90 [226]	9.50 [241]	0.83	371	23
8611	9.50 [241]	10.10 [257]	0.90	403	25
8612	10.10 [257]	10.70 [272]	0.97	435	27
8612N	10.70 [272]	10.70 [272]	-	-	-
8613	10.70 [272]	11.30 [287]	1.04	467	29
8614	11.30 [287]	11.90 [302]	1.11	498	31
8615	11.90 [302]	12.50 [318]	1.18	530	33