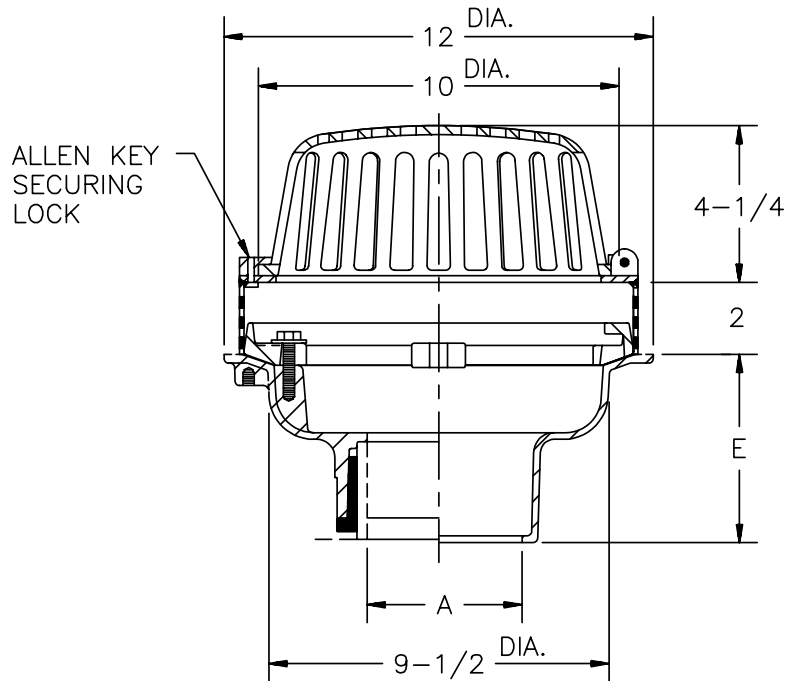




**Z-121-95**  
**12" DIAMETER ROOF DRAIN**  
**LOW SILHOUETTE DOME**

**TAG** \_\_\_\_\_

Dimensions Subject to Manufacturing Tolerances



A- Pipe Size In.	Approx. Wt. Lbs.	Dome Open Area Sq. In.
2-3-4-5-6	24	78

**ENGINEERING SPECIFICATION: ZURN Z-121-95**  
 12" Diameter roof drain. Dura-Coated cast iron body with combination membrane flashing clamp/gravel guard and 6-1/2" high hinged dome.

**OPTIONS** (Check/specify appropriate options)

**OUTLET** (Specify type)

- \_\_\_ **IC** Inside Caulk
- \_\_\_ **IG** Inside Caulk w/Sealtrol Gskt.
- \_\_\_ **IP** Threaded
- \_\_\_ **NH** No-Hub
- \_\_\_ **NL** Neo-Loc

**PIPE SIZE** (Specify size)

- 2", 3", 4", 6"
- 2", 3", 4", 6"
- 2", 3", 4", 6"
- 2", 3", 4", 6"
- 2", 3", 4"

**'E' BODY HT. DIMENSION**

- 5-1/4"
- 5-1/4"
- 3-3/4"
- 5-1/4"
- 4-5/8"

**PREFIXES**

- \_\_\_ **Z-** D.C.C.I. Body with Dome\*
- \_\_\_ **ZRB-** D.C.C.I. Body with Plain Bronze Dome

**SUFFIXES**

- \_\_\_ **-BS** Bronze Mesh Screen Over Dome
- \_\_\_ **-C** Underdeck Clamp
- \_\_\_ **-G** Galvanized Cast Iron
- \_\_\_ **-R** Roof Sump Receiver
- \_\_\_ **-SS** Stainless Mesh Screen Over Dome
- \_\_\_ **-VP** Vandal Proof Secured Top
- \_\_\_ **-XJ** Vertical Expansion Joint (See Z-190)
- \_\_\_ **-90** 90° Threaded Side Outlet Body (2" thru 5") (Previously Z-124)

<b>REV.</b>	<b>DATE: 9/12/91</b>	<b>C.N. NO. 67815</b>
<b>DWG. NO. P-13642 PRODUCT NO. Z-121-95</b>		

\*REGULARLY FURNISHED UNLESS OTHERWISE SPECIFIED