

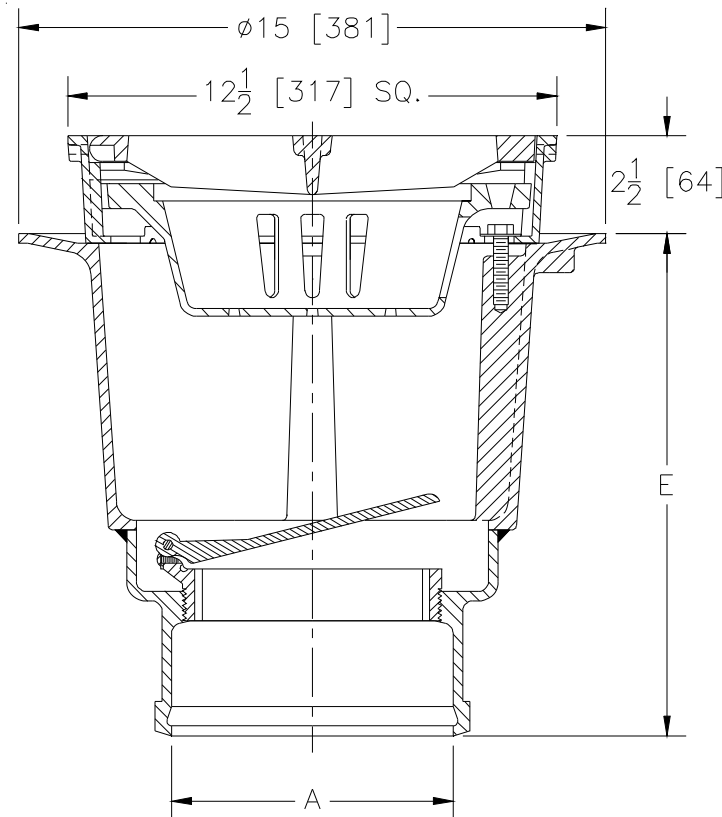


Z-610-101

12" [305] HEAVY DUTY DRAIN W/BACKWATER VALVE

TAG _____

Dimensional Data (inches and [mm]) are Subject to Manufacturing Tolerances and Change Without Notice



A- Pipe Size In.	Approx. Wt. Lbs. [kg]	Grate Open Area Sq. In. [cm ²]
6 [150]	54 [24]	40 [258]

ENGINEERING SPECIFICATION: ZURN Z-610-101 - 12 [305] Square top drain, Dura-Coated cast iron deep sump body with backwater valve bottom outlet, seepage pan and combination membrane flashing clamp and frame for heavy duty cast iron loose slotted grate, with suspended sediment bucket.

OPTIONS (Check/specify appropriate options)

PIPE SIZE

6 [150]

(Specify size/type) **OUTLET**

_____ HB Hub

'E' BODY HT. DIM

12-1/4 [311]

PREFIXES

- _____ Z- D.C.C.I. Body and Top*
- _____ ZB- D.C.C.I Body w/Polished Bronze Top (Add 3/16 [5] to 2 1/2 [64] Dim. and 3/4 [19] to 12 1/2 [318] Dim.)
- _____ ZN- D.C.C.I Body w/Polished Nickel Bronze Top (Add 3/16 [5] to 2 1/2 [64] Dim. and 3/4 [19] to 12 1/2 [318] Dim.)

SUFFIXES

- _____ -AR Acid Resistant Epoxy Coated Finish
- _____ -DG Duresist Grate
- _____ -DX Dex-o-tex Flange (ZB, ZN Only)
- _____ -F 2" [51] Extension
- _____ -G Galvanized Cast Iron
- _____ -H Hinged Grate
- _____ -HL Hinged Locking Grate
- _____ -P Trap Primer Connection
- _____ -SS Stainless Steel Mesh Liner for Bucket
- _____ -TS Top Secured with Slotted Screws
- _____ -VP Vandal Proof Secured Top
- _____ -YA Aluminum Sediment Bucket

REV.	DATE: 08/24/01	C.N. NO. 87798
DWG. NO. P-14844		PRODUCT NO. Z-610-101

*REGULARLY FURNISHED UNLESS OTHERWISE SPECIFIED