



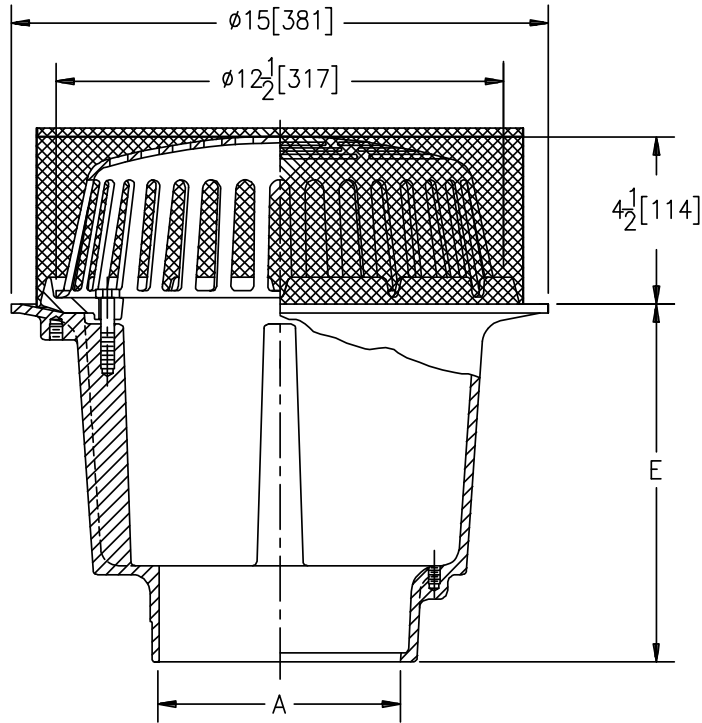
Z104-SS

15 [381] DIAMETER DEEP SUMP ROOF DRAIN WITH STAINLESS STEEL MESH SCREEN OVERDOME

SPECIFICATION SHEET

TAG _____

Dimensional Data (inches and [mm]) are Subject to Manufacturing Tolerances and Change Without Notice



A- Pipe Size In. [mm]	Approx. Wt. Lbs. [kg]	Dome Open Area Sq. In. [cm ²]
3, 4 [76, 102]	46 [21]	103 [665]
6, 8 [152, 203]		

ENGINEERING SPECIFICATION: ZURN Z104-SS

15" [381mm] Diameter roof drain. Dura-Coated cast iron deep sump body with combination membrane flashing clamp/gravel guard and low silhouette Poly-Dome with stainless steel mesh screen.

OPTIONS (Check/specify appropriate options)

PIPE SIZE

3, 4, 6, 8 [76, 102, 152, 203]
3, 4 [76, 102]

(Specify size/type) **OUTLET**

_____ NH No-Hub
_____ NL Neo-Loc

'E' BODY HT. DIM.

10 [254]
9-5/16 [236]

PREFIXES

_____ Z D.C.C.I. Body with Poly-Dome*
_____ ZA D.C.C.I. Body with Aluminum Dome
_____ ZC D.C.C.I. Body with Cast Iron Dome

SUFFIXES

_____ -AC Angular Underdeck Clamp	_____ -SC Secondary Clamping Collar
_____ -AR Acid Resistant Epoxy Coated Finish	_____ -VP Vandal Proof Secured Top
_____ -C Underdeck Clamp	_____ -W2 2 [50] Internal Water Dam
_____ -DX Dex-o-tex Flange	_____ -W3 3 [76] Internal Water Dam
_____ -E Static Extension 1 [25] thru 4 [102] (Specify Ht)	_____ -W4 4 [102] Internal Water Dam
_____ -EA Adjustable Extension Assembly	_____ -84 Stainless Steel Perforated Gravel Guard
_____ -G Galvanized Cast Iron	_____ -85 Stainless Steel Perforated Extension
_____ -HD 6-3/4 [171] High Aluminum Dome (148 Sq. In. [955 cm ²] Open Area)	_____ -89 2 [50] High External Water Dam
_____ -R Roof Sump Receiver	

* Regularly furnished unless otherwise specified.

Zurn Industries, LLC | Specification Drainage Operation
1801 Pittsburgh Avenue, Erie, PA U.S.A. 16502 · Ph. 855-663-9876, Fax 814-454-7929
In Canada | Zurn Industries Limited
3544 Nashua Drive, Mississauga, Ontario L4V 1L2 · Ph. 905-405-8272, Fax 905-405-1292
www.zurn.com

Rev. A
Date: 10/03/2017
C.N. No. 138231
Prod. | Dwg. No. Z104-SS