



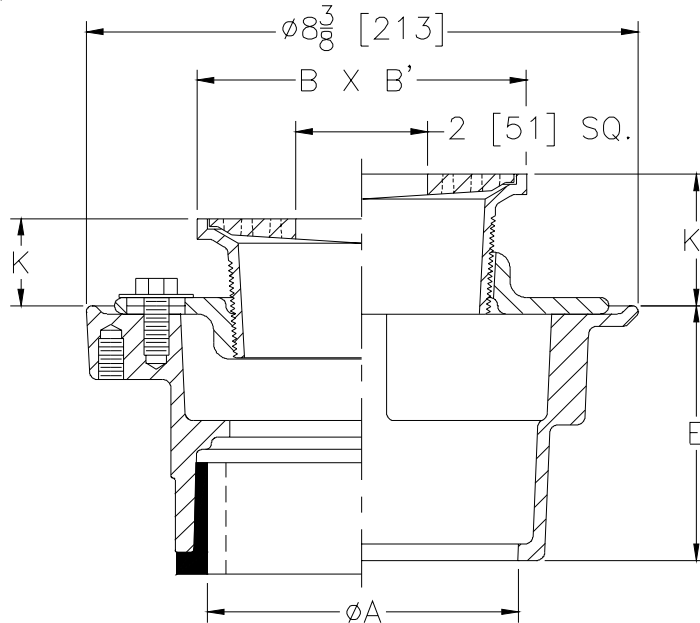
Z415S-75

BODY ASSEMBLY W/ "TYPE S" STRAINER AND 2 [51] SQUARE HOLE

SPECIFICATION SHEET

TAG _____

Dimensional Data (inches and [mm]) are Subject to Manufacturing Tolerances and Change Without Notice



Dimensions In Inches						Approx. Wt. Lbs. [Kg.]	Strainer Open Area Sq. In. [Cm ²]
A Pipe Size	B x B' Strainer Top Size	K		K'			
		Min.	Max.	Min.	Max.		
2-3 [51-76]	5 x 5 [127 x 127]	7/8 [22]	1 3/4[44]	1 1/2[38]	2 5/8[67]	12 [5]	11 [81]
2-3-4[51-76-102]	6 x 6 [152 x 152]	1 [25]	1 7/8[48]	1 5/8[41]	2 7/8[73]	13 [6]	16 [103]
2-3-4[51-76-102]	7 x 7 [178 x 178]	1 1/4[32]	2 5/8[67]	1 5/8[41]	3 1/2[89]	14 [6]	23 [148]
3-4 [76-102]	8 x 8 [203 x 203]	1 1/4[32]	2 5/8[67]	2 [51]	3 1/2[89]	15 [7]	29 [187]
6 [152]	9 x 9 [229 x 229]	1 1/4[32]	2 5/8[67]	2 [51]	3 1/2[89]	19 [9]	29 [187]
6 [152]	10 x 10 [254 x 254]	1 1/4[32]	2 5/8[67]	2 [51]	3 1/2[89]	21 [10]	29 [187]

ENGINEERING SPECIFICATION:
ZURN ZN415S-75 Floor and shower drain, Dura-Coated cast iron body with bottom outlet, combination invertible membrane clamp and adjustable collar with "TYPE S" polished nickel bronze square strainer with a 2 [51] square hole.

OPTIONS (Check/specify appropriate options)

PIPE SIZE

- 2 thru 4 [51 thru 102]
- 2 [51]
- 3 [76]
- 4 [102]
- 6 [152]
- 2 thru 4 [51 thru 102]
- 2 thru 4 [51 thru 102]

(Specify type/size) **OUTLET**

- _____ IC Inside Caulk
- _____ IP Threaded
- _____ IP Threaded
- _____ IP Threaded
- _____ IP Threaded
- _____ NH No-Hub
- _____ NL Neo-Loc

'E' BODY HT. DIMENSION

- 3 7/8 [98]
- 2 3/8 [60]
- 2 5/8 [66]
- 2 7/8 [73]
- 2 3/4 [69]
- 3 7/8 [98]
- 4 5/8 [117]

PREFIXES

- _____ ZB D.C.C.I. Body Assembly with Polished Bronze Top
- _____ ZN D.C.C.I. Body Assembly with Polished Nickel Bronze Top*

SUFFIXES

- _____ -AR Acid Resisting Epoxy Coated Cast Iron
- _____ -G Galvanized Cast Iron
- _____ -P Primer Connection (Specify 1/2 [13] or 3/4 [19])
- _____ -TC Neo-Loc Test Cap Gasket (2 - 4 [51 - 102] NL Bottom Outlet Only)
- _____ -U 1 - 3 [25 - 76] High Extension Adapter
- _____ -V Backwater Valve
- _____ -VP Vandal-Proof Secured Top
- _____ -Y Sediment Bucket
- _____ -90 90° Side Outlet Body (2 [51], 3 [76] only)

*REGULARLY FURNISHED UNLESS OTHERWISE SPECIFIED

REV. A	DATE: 03/08/04	C.N. NO. 92003
DWG. NO. P-13705	PRODUCT NO. Z415S-75	