



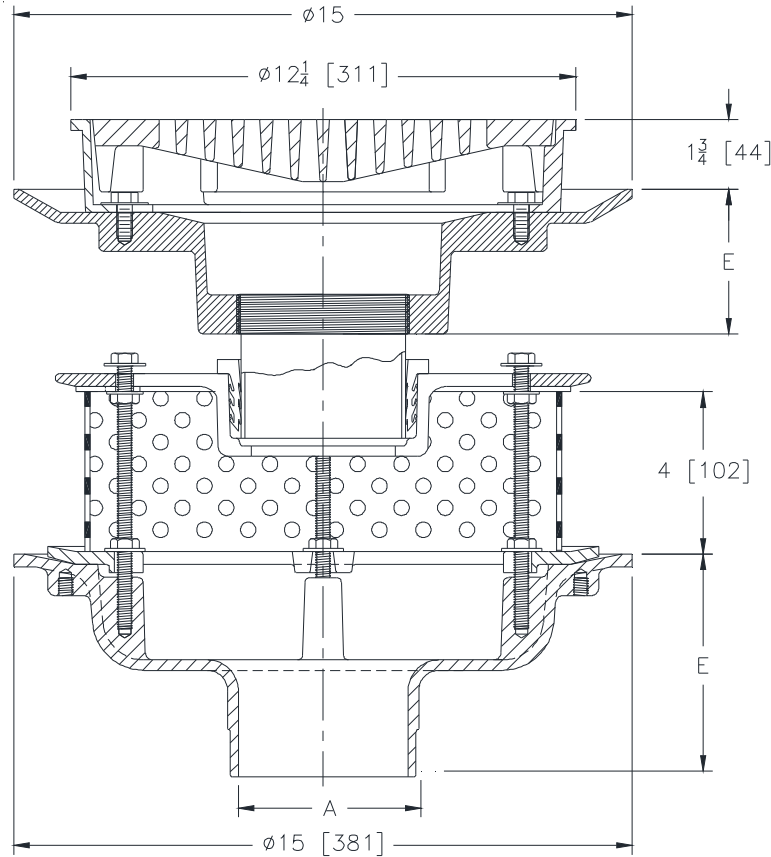
# Z624-132

## ISOLATION DECK WITH Z509 12 [254] HEAVY-DUTY UPPER DRAIN & 4 [102] PERFORATED EXTENSION

SPECIFICATION SHEET

TAG \_\_\_\_\_

Dimensional Data (inches and [ mm ]) are Subject to Manufacturing Tolerances and Change Without Notice



A Pipe Size Inches [mm]	Approx. Wt. Lbs. [kg]	Grate Open Area Sq. In. [cm <sup>2</sup> ]
2, 3, 4 [51, 76, 102]	65 [29]	30 [194]
6 [152]		

### ENGINEERING SPECIFICATION: ZURN Z624-132

Adjustable isolation deck drain, Dura-Coated cast iron lower body, upper and lower clamp collar, 4" [102mm] perforated extension, neoprene flex gasket, 12" [305mm] Dura-coated cast iron upper body with bottom outlet, seepage pan and combination membrane flashing clamp and frame with heavy-duty tractor grate.

### OPTIONS (Check/specify appropriate options)

#### PIPE SIZE

- 2, 3, 4, 6 [51, 76, 102, 152]
- 2, 3, 4, 6 [51, 76, 102, 152]
- 2, 3, 4, 6 [51, 76, 102, 152]
- 2, 3, 4, 6 [51, 76, 102, 152]
- 2, 3, 4 [51, 76, 102]

#### (Specify size/type) OUTLET

- \_\_\_ IC Inside Caulk
- \_\_\_ IG Inside Gasket
- \_\_\_ IP Threaded
- \_\_\_ NH No-Hub
- \_\_\_ NL Neo-Loc

#### 'E' BODY HT. DIM.

- 5-1/4 [133]
- 5-1/4 [133]
- 3-3/4 [95]
- 5-1/4 [133]
- 4-5/8 [117]

#### PREFIXES

- \_\_\_ Z D.C.C.I Lower and Upper Bodies

#### SUFFIXES

- \_\_\_ -C Underdeck Clamp (Lower Body)
- \_\_\_ -G Galvanized Cast Iron
- \_\_\_ -R Sump Receiver (Lower Body)
- \_\_\_ -DP Deck Plate

\* Regularly furnished unless otherwise specified.