



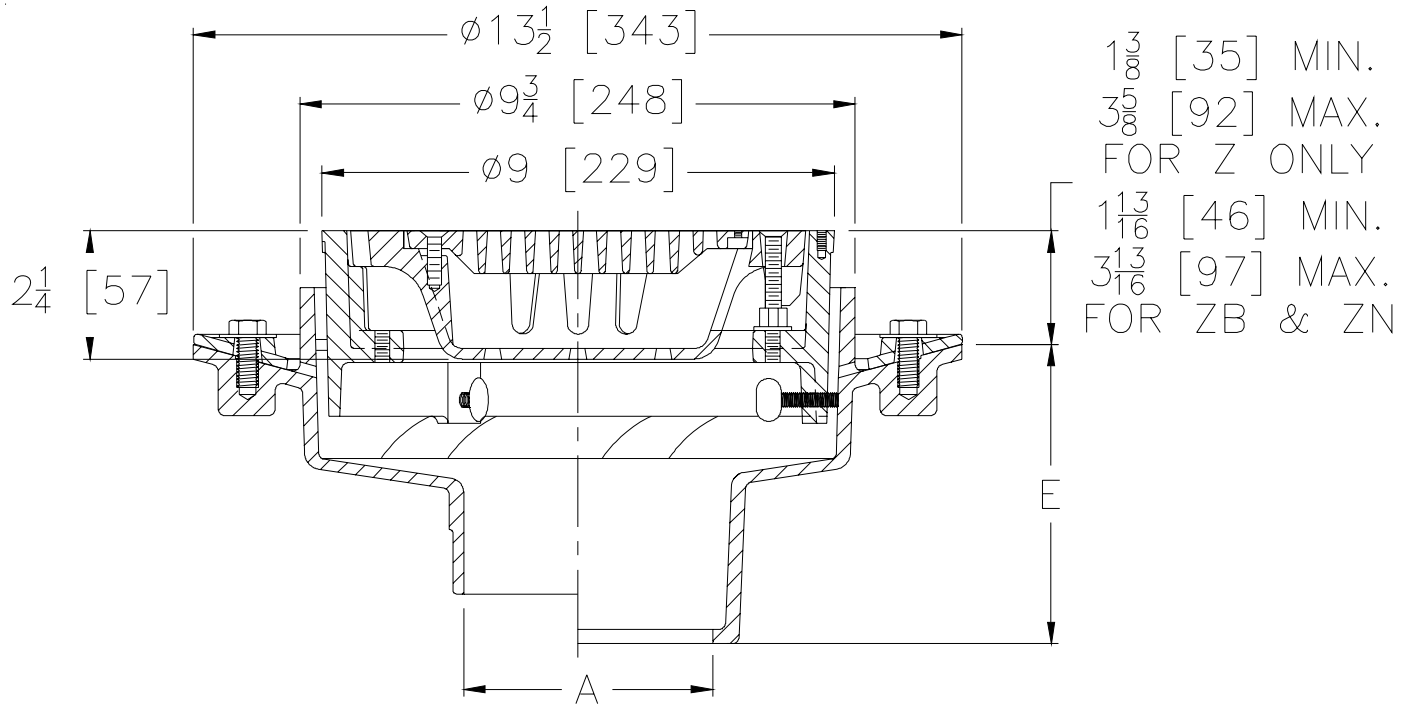
ZB520-82

Ø9 [229] ADJUSTABLE MEDIUM-DUTY DRAIN, CLAMP COLLAR & VANDAL-PROOF SCREWS

SPECIFICATION SHEET

TAG _____

Dimensional Data (inches and [mm]) are Subject to Manufacturing Tolerances and Change Without Notice



A Pipe Size In.	Approx. Wt. Lbs. [kg]	Grate Open Area Sq. In. [cm ²]
2-3-4 [51-76-102]	39 [18]	18 [116]

ENGINEERING SPECIFICATION: ZURN ZB520-82

9 [229] Diameter top drain, Dura-Coated cast iron body with bottom outlet, seepage pan, and seepage holes, adjustable extension frame, clamp collar, and sediment bucket with vandal proof secured medium-duty cast iron deep flange slotted grate.

OPTIONS (Check/specify appropriate options)

OUTLET (Specify type)

- IC Inside Caulk
 IP Threaded

PIPE SIZE (Specify size)

- 2, 3, 4 [51, 76, 102]
 2, 3, 4 [51, 76, 102]

PREFIX OPTIONS

- ZB** D.C.C.I. Body with Polished Bronze Grate and Frame (Add 5/8 [16] to 9 [229] Dim.)
 ZN D.C.C.I. Body with Polished Nickel Bronze Grate and Frame (Add 5/8 [16] to 9 [229] Dim.)

SUFFIXES

- AR Acid Resisting Epoxy Coated Cast Iron
 -G Galvanized Cast Iron
 -P Trap Primer Connection
 -S Secondary Strainer
 -TS Top Secured with Slotted Screws
 -V Backwater Valve (See Z1099)
 -VP Vandal Proof Secured Top
 -90 90° Side Outlet (See Z1042)

REV. C DATE: 12/15/10 C.N. NO. 111990

DWG. NO. P-13942

PRODUCT NO. ZB520-82

*REGULARLY FURNISHED UNLESS OTHERWISE SPECIFIED

ZURN INDUSTRIES, LLC. ♦ SPECIFICATION DRAINAGE OPERATION ♦ 1801 Pittsburgh Ave. ♦ Erie, PA 16514

Phone: 814/455-0921 ♦ Fax: 814/454-7929 ♦ World Wide Web: www.zurn.com

In Canada: ZURN INDUSTRIES LIMITED ♦ 3544 Nashua Drive ♦ Mississauga, Ontario L4V1L2 ♦ Phone: 905/405-8272 Fax: 905/405-1292