

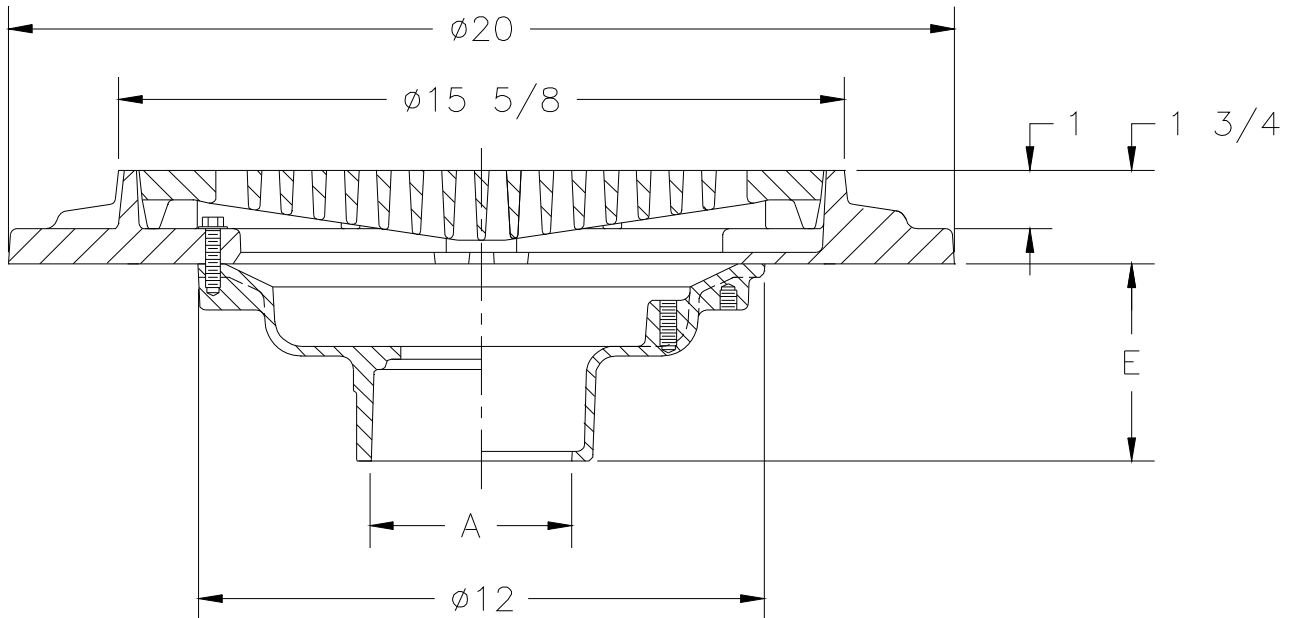


Z-534-78
15" DIAMETER PARKING DECK
DRAIN WITH SUPPORT FLANGE

SPECIFICATION SHEET

TAG _____

Dimensional Data (inches and [mm]) are Subject to Manufacturing Tolerances and Change Without Notice



A- Pipe Size In.	Approx. Wt. Lbs.	Grate Open Area Sq. In.
2-3-4-5-6	78	56

ENGINEERING SPECIFICATION: ZURN Z-534-78 15" Diameter Parking Deck Drain, Dura-Coated cast iron body with bottom outlet, seepage pan and combination membrane flashing clamp and heavy duty support flange, with heavy duty slotted grate.

OPTIONS (Check/specify appropriate options)

OUTLET (Specify type)

- _____ **IC** Inside Caulk
- _____ **IG** Inside Caulk w/Sealtrol Gskt.
- _____ **IP** Threaded
- _____ **NH** No-Hub
- _____ **NL** Neo-Loc

PIPE SIZE

(Specify size)

- _____ 2" thru 6"
- _____ 2" thru 6"
- _____ 2" thru 6"
- _____ 2" thru 6"
- _____ 2" thru 4"

'E' BODY HT. DIMENSION

- 3-3/4"
- 3-3/4"
- 2-3/4"
- 4-3/4"
- 3-1/2"

PREFIXES

- _____ **Z-** D.C.C.I. Body and Grate*
- _____ **ZB-** D.C.C.I. Body with Polished Bronze Top (Add 3/16" to 1-3/4" Dim.)
- _____ **ZN-** D.C.C.I. Body with Polished Nickel Bronze Top (Add 3/16" to 1-3/4" Dim.)

SUFFIXES

- _____ **-C** Underdeck Clamp
- _____ **-G** Galvanized Cast Iron
- _____ **-VP** Vandal Proof Secured Top
- _____ **-XJ** Vertical Expansion Joint (See Z-190)
(Use with IP Type Outlets)

REV. A	DATE: 11/16/94	C.N. NO. 70416
DWG. NO. P-13674 PRODUCT NO. Z-534-78		

*REGULARLY FURNISHED UNLESS OTHERWISE SPECIFIED