



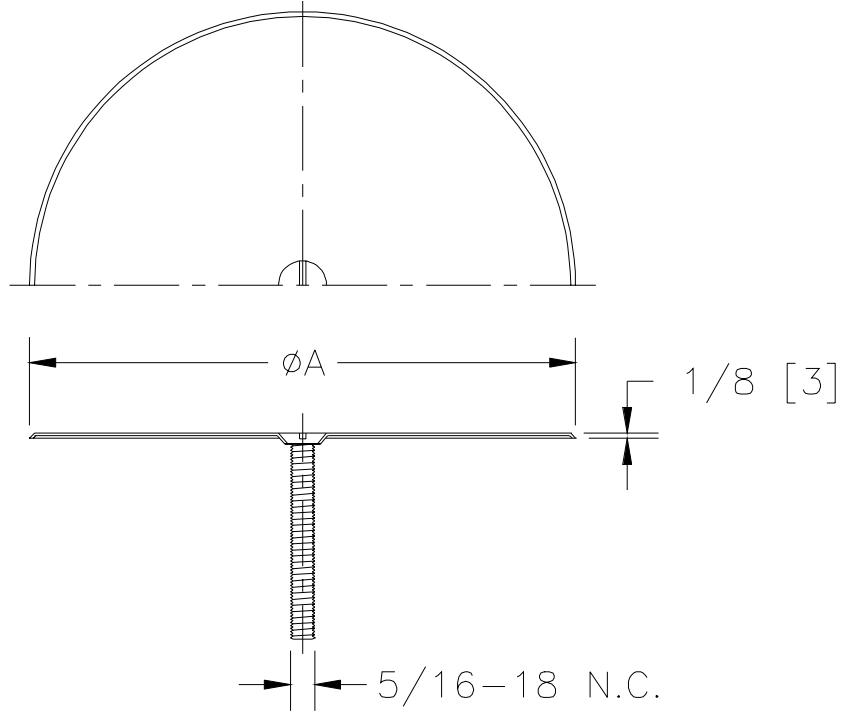
Z-1469-77

ROUND PRIME COATED ACCESS COVER

SPECIFICATION SHEET

TAG _____

Dimensional Data (inches and [mm]) are Subject to Manufacturing Tolerances and Change Without Notice



A Cover Dia.	Nominal Pipe Size	Approx. Wt. Lbs. [kg]
5 [127]	2-3-3 1/2 [50-75-89]	1 [.5]
7 [178]	4-5 [100-125]	2 [1]
9 [229]	6 [150]	3 [1.5]
11 [279]	8 [200]	4 [2]

ENGINEERING SPECIFICATION: ZURN ZS-1469-77 round prime coated stainless steel access cover complete with securing screw.

OPTIONS (Check/specify appropriate options)

PREFIXES

- ___ ZAB- Bronze Polished Top
- ___ ZS- Type 304 Stainless Steel Polished Top*

SUFFIXES

- ___ -SL Screws Longer Than 3 1/2 [89]
- ___ -VP Vandal Proof Secured Top

REV.	DATE: 11/18/96	C.N. NO. 76520
DWG. NO. P-14419 PRODUCT NO. Z-1469-77		

*REGULARLY FURNISHED UNLESS OTHERWISE SPECIFIED