



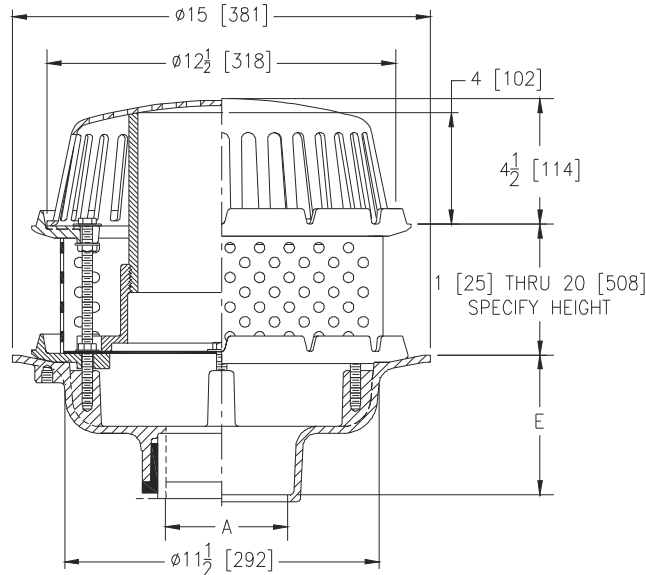
# Z100-355

15 [381] DIAMETER MAIN ROOF DRAIN WITH INTERNAL WATER DAM AND STAINLESS STEEL PERFORATED EXTENSION

SPECIFICATION SHEET

TAG \_\_\_\_\_

Dimensional Data (inches and [ mm ]) are Subject to Manufacturing Tolerances and Change Without Notice



A Pipe Size In. [mm]	Approx. Wt. Lbs. [kg]	Dome Open Area Sq. In. [cm <sup>2</sup> ]
2, 3, 4 [51, 76, 102]	26 [12]	103 [665]
6 [152]	27 [12]	
8 [203]	28 [13]	

**ENGINEERING SPECIFICATION: ZURN Z100-355**

15" [381mm] Diameter roof drain. Duracoated cast iron body with combination membrane flashing clamp/gravel guard with internal water dam, Stainless Steel perforated extension, gasket and low silhouette Poly-Dome.

**OPTIONS** (Check/specify appropriate options)

**PIPE SIZE**

- 3, 4, 6 [76,102,152]
- 2, 3, 4, 6, 8 [51,76, 102, 152, 203]
- 2, 3, 4, 6, 8 [51,76, 102, 152, 203]
- 2, 3, 4 [51,76,102]
- 6 [152]

(Specify size/type) **OUTLET**

- \_\_\_ IC Inside Caulk
- \_\_\_ IP Threaded
- \_\_\_ NH No-Hub
- \_\_\_ NL Neo-Loc
- \_\_\_ NL Neo-Loc

**E BODY HT. DIM.**

- 5-1/4 [133]
- 3-3/4 [95]
- 5-1/4 [133]
- 4-9/16 [116]
- 5-7/16 [112]

**PREFIXES**

- \_\_\_ Z D.C.C.I. Body with Poly-Dome\*
- \_\_\_ ZA D.C.C.I. Body with Aluminum Dome

- \_\_\_ ZC D.C.C.I. Body with Cast Iron Dome
- \_\_\_ ZRB D.C.C.I. Body with Plain Bronze Dome

**SUFFIXES**

- \_\_\_ -AC Angular Underdeck Clamp
- \_\_\_ -AR Acid Resistant Epoxy Coated
- \_\_\_ -C Underdeck Clamp
- \_\_\_ -DE Deck Extension
- \_\_\_ -DP Top-Set® Deck Plate (Replaces both the -C and -R)
- \_\_\_ -DR Top-Set® Drain Riser
- \_\_\_ -E Static Extension 1 [25] thru 4 [102] (Specify Ht.)
- \_\_\_ -EA Adjustable Extension Assembly 2-1/8 [54] thru 3-1/2 [89]
- \_\_\_ -EB Top-Set® Adjustable Extension Assembly
- \_\_\_ -FG Flush Grate
- \_\_\_ -G Galvanized Cast Iron
- \_\_\_ -HD 6-3/4[171] High Aluminum Dome Strainer (148 Sq. In. [955 cm<sup>2</sup>] Open Area) (ZA Only)
- \_\_\_ -R Roof Sump Receiver
- \_\_\_ -SC Secondary Clamp Collar

- \_\_\_ -SS Stainless Steel Mesh Screen Over Dome
- \_\_\_ -ST Dome with Solid Top (ZA & ZC Only)
- \_\_\_ -TC Neo-Loc Test Cap Gasket (2, 3, 4 [51, 76, 102] NL Bottom Outlet Only)
- \_\_\_ -VP Vandal-Proof Secured Top
- \_\_\_ -84 Stainless Steel Perforated Gravel Guard
- \_\_\_ -90 90° Threaded Side Outlet Body

\* Regularly furnished unless otherwise specified.